

# **PARTS CATALOG**

**iR2016/2016J/2016i/2020/  
2020J/2020i/2020S**

**Canon**

**Nov 3 2006**



## **PREFACE**

This Parts Catalog contains listings of parts used

Diagrams are provided with the listings to aid the service technician in identifying clearly, the item to be ordered.

Whenever ordering parts, consult this Parts Catalog for all of the information pertaining to each item. Be sure to include, in the Parts Request, the full item description, the item part number, and the quantity.

***COPYRIGHT (C) 1999 CANON INC.***

Use of this manual should be strictly supervised to avoid disclosure of confidential information.



# Contents

## NUMERICAL INDEX

iR2016/2016J/2016i/2020/2020J/2020i/2020S ..... 1-1

## iR2016/2016J/2016i/2020/2020J/2020i/2020S

A	ASSEMBLY LOCATION DIAGRAM .....	2-1
001	ACCESSORIES .....	2-4
100	EXTERNAL COVERS, PANELS, ETC. ....	2-6
101	MACHINE FRONT PLATE .....	2-9
102	INTERNAL COMPONENTS .....	2-11
103	INTERNAL COMPONENTS .....	2-14
104	MACHINE REAR PLATE .....	2-17
130	CONTROL PANEL ASSEMBLY .....	2-20
140	LEFT DOOR ASSEMBLY .....	2-22
141	TRANSFER MOUNT ASSEMBLY .....	2-25
210	READER ASSEMBLY .....	2-27
250	MAIN DRIVE ASSEMBLY .....	2-32
280	FIXING DRIVE ASSEMBLY .....	2-34
300	CASSETTE .....	2-36
310	CASSETTE FEEDER ASSEMBLY .....	2-38
311	PAPER PICK-UP ASSEMBLY .....	2-40
312	CASSETTE FEEDER ASSEMBLY .....	2-43
313	PAPER PICK-UP ASSEMBLY .....	2-46
315	MULTI FEED TRAY ASS'Y .....	2-49
350	PAPER DELIVERY ASSEMBLY .....	2-51
640	DEVELOPING ASSEMBLY .....	2-53
810	FIXING ASSEMBLY .....	2-55
900	COUNTER PCB ASSEMBLY .....	2-58
930	HVT PCB ASSEMBLY .....	2-60
P01	PACKING KIT .....	2-62
P11	ADF ASSEMBLY .....	2-64
P12	DOCUMENT TRAY ASSEMBLY .....	2-67
P31	OPEN/CLOSE PANEL ASSEMBLY .....	2-69
P33	PAPER FEEDER ASSEMBLY .....	2-71
S01	PACKING KIT .....	2-74
S20	DUPLEX FEEDER ASSEMBLY .....	2-76
S50	DUPLEX REVERSE UNIT .....	2-79



# NUMERICAL INDEX

IR2016/2016J/2016i/2020/2020J/2020i/2020S

PARTS NUMBER	FIGURE & KEY NO.	PARTS NUMBER	FIGURE & KEY NO.	PARTS NUMBER	FIGURE & KEY NO
FA3-8727-000	103 - 19	FB6-1660-000	313 - 21	FC3-1539-000	P11 - 4
FA3-8727-000	810 - 36	FB6-1722-000	104 - 1	FC3-1540-000	P31 - 6
FA4-1159-000	103 - 51	FB6-1902-000	311 - 19	FC3-1541-000	P31 - 7
FA9-2112-000	103 - 11	FB6-1902-000	313 - 30	FC3-1542-000	P31 - 12
FA9-3870-000	100 - 27	FB6-1905-000	313 - 22	FC3-1547-000	P01 - 3
FB4-5532-000	310 - 1	FB6-1908-000	311 - 20	FC3-1549-000	P11 - 19
FB4-5532-000	312 - 2	FB6-1908-000	313 - 31	FC3-1549-000	P31 - 13
FB4-5671-000	312 - 12	FB6-1909-000	311 - 5	FC3-1549-000	P33 - 15
FB4-5672-000	313 - 1	FB6-1909-000	313 - 23	FC3-1568-000	P33 - 53
FB4-5673-000	313 - 2	FB6-1910-000	310 - 5	FC3-1569-000	P11 - 39
FB4-5808-020	300 - 18	FB6-1910-000	312 - 7	FC3-1571-000	P01 - 1
FB4-5809-020	300 - 9	FB6-1913-000	312 - 9	FC3-1572-000	P01 - 2
FB4-5810-000	300 - 11	FB6-1920-000	312 - 14	FC5-0543-000	140 - 24
FB4-5813-020	300 - 10	FB6-1996-000	312 - 15	FC5-0792-000	210 - 12
FB4-5814-000	300 - 1	FB6-1997-000	312 - 16	FC5-1280-000	100 - 2
FB4-5824-000	300 - 19	FB6-2000-000	300 - 4	FC5-1427-000	210 - 50
FB4-6032-000	313 - 3	FB6-6896-000	640 - 24	FC5-1444-000	210 - 13
FB4-6033-000	313 - 4	FC3-1449-000	P11 - 10	FC5-4847-000	350 - 1
FB4-6034-000	313 - 5	FC3-1450-000	P11 - 11	FC5-4860-000	810 - 1
FB4-9817-030	311 - 25	FC3-1451-000	P11 - 23	FC5-5297-000	810 - 2
FB4-9817-030	313 - 39	FC3-1452-000	P11 - 12	FC5-6805-000	810 - 22
FB6-1336-000	210 - 48	FC3-1454-000	P11 - 13	FC6-4113-000	101 - 1
FB6-1337-000	210 - 49	FC3-1455-000	P11 - 14	FC6-4114-000	101 - 14
FB6-1536-000	312 - 13	FC3-1460-000	P33 - 1	FC6-4115-000	101 - 15
FB6-1541-000	313 - 33	FC3-1462-000	P33 - 2	FC6-4116-000	101 - 21
FB6-1550-000	311 - 1	FC3-1465-000	P33 - 4	FC6-4120-000	101 - 16
FB6-1550-000	313 - 6	FC3-1466-000	P33 - 5	FC6-4135-000	102 - 19
FB6-1551-000	313 - 7	FC3-1468-000	P11 - 1	FC6-4138-000	103 - 27
FB6-1608-000	310 - 2	FC3-1469-000	P33 - 6	FC6-4140-020	101 - 2
FB6-1608-000	312 - 3	FC3-1470-000	P33 - 7	FC6-4143-020	101 - 3
FB6-1613-000	313 - 8	FC3-1471-000	P33 - 8	FC6-4144-000	101 - 13
FB6-1614-000	313 - 9	FC3-1477-000	P31 - 2	FC6-4146-020	101 - 4
FB6-1615-000	313 - 10	FC3-1478-000	P31 - 3	FC6-4147-000	101 - 19
FB6-1616-000	313 - 11	FC3-1479-000	P31 - 4	FC6-4148-000	103 - 20
FB6-1623-000	313 - 12	FC3-1480-000	P31 - 5	FC6-4149-000	101 - 5
FB6-1624-000	313 - 13	FC3-1486-000	P12 - 2	FC6-4163-000	640 - 16
FB6-1626-000	311 - 2	FC3-1488-000	P12 - 3	FC6-4164-000	640 - 2
FB6-1626-000	313 - 14	FC3-1491-000	P11 - 15	FC6-4165-000	640 - 3
FB6-1628-000	313 - 15	FC3-1492-000	P11 - 2	FC6-4166-000	640 - 4
FB6-1631-030	313 - 40	FC3-1493-000	P33 - 9	FC6-4167-000	640 - 5
FB6-1632-000	313 - 16	FC3-1494-000	P33 - 10	FC6-4168-000	640 - 6
FB6-1633-000	311 - 3	FC3-1495-000	P11 - 16	FC6-4169-000	640 - 7
FB6-1633-000	313 - 17	FC3-1496-000	P11 - 3	FC6-4170-000	640 - 8
FB6-1634-000	313 - 18	FC3-1497-000	P11 - 17	FC6-4171-000	640 - 9
FB6-1635-000	313 - 19	FC3-1498-000	P11 - 18	FC6-4176-000	640 - 11
FB6-1636-000	313 - 20	FC3-1509-000	P33 - 11	FC6-4177-000	640 - 12
FB6-1640-000	300 - 2	FC3-1510-000	P33 - 12	FC6-4191-000	103 - 40
FB6-1644-000	300 - 3	FC3-1511-000	P33 - 13	FC6-4202-000	640 - 17
FB6-1646-000	300 - 12	FC3-1512-000	P33 - 14	FC6-4205-000	103 - 43
FB6-1649-000	300 - 13	FC3-1513-000	P11 - 24	FC6-4209-020	140 - 9
FB6-1650-000	300 - 7	FC3-1525-000	P31 - 11	FC6-4210-000	140 - 10
FB6-1660-000	311 - 4	FC3-1529-000	P12 - 5	FC6-4211-000	140 - 11

# NUMERICAL INDEX

## iR2016/2016J/2016i/2020/2020J/2020i/2020S

PARTS NUMBER	FIGURE & KEY NO.	PARTS NUMBER	FIGURE & KEY NO.	PARTS NUMBER	FIGURE & KEY NO.
FC6-4215-000	315 - 1	FC6-4314-000	141 - 1	FC6-4476-000	100 - 1
FC6-4218-000	315 - 2	FC6-4315-000	141 - 2	FC6-4477-000	350 - 3
FC6-4219-000	315 - 3	FC6-4316-000	141 - 11	FC6-4478-000	102 - 3
FC6-4220-000	315 - 4	FC6-4317-000	141 - 3	FC6-4479-000	810 - 7
FC6-4221-000	315 - 5	FC6-4324-000	141 - 4	FC6-4480-000	810 - 8
FC6-4222-000	315 - 6	FC6-4326-000	311 - 10	FC6-4481-000	810 - 9
FC6-4223-000	315 - 7	FC6-4337-000	300 - 5	FC6-4482-000	102 - 4
FC6-4224-000	140 - 12	FC6-4348-000	311 - 11	FC6-4484-000	350 - 15
FC6-4226-020	140 - 13	FC6-4350-000	311 - 12	FC6-4492-000	810 - 10
FC6-4227-020	140 - 14	FC6-4350-000	313 - 36	FC6-4495-000	103 - 10
FC6-4232-000	140 - 15	FC6-4351-000	311 - 27	FC6-4497-000	250 - 3
FC6-4233-000	140 - 16	FC6-4352-000	311 - 13	FC6-4501-000	810 - 11
FC6-4234-000	140 - 17	FC6-4352-000	313 - 25	FC6-4502-000	350 - 7
FC6-4235-000	102 - 1	FC6-4355-000	311 - 14	FC6-4503-000	810 - 42
FC6-4236-000	102 - 2	FC6-4355-000	313 - 26	FC6-4504-000	350 - 19
FC6-4238-000	140 - 18	FC6-4356-000	311 - 28	FC6-4506-000	210 - 30
FC6-4239-000	140 - 19	FC6-4356-000	313 - 41	FC6-4511-000	210 - 37
FC6-4244-000	102 - 25	FC6-4357-000	310 - 3	FC6-4513-000	100 - 26
FC6-4245-000	103 - 44	FC6-4357-000	312 - 4	FC6-4514-000	210 - 31
FC6-4259-000	100 - 3	FC6-4358-000	311 - 15	FC6-4519-000	100 - 19
FC6-4260-000	100 - 4	FC6-4358-000	313 - 27	FC6-4522-000	210 - 2
FC6-4261-000	100 - 5	FC6-4360-000	103 - 18	FC6-4525-000	210 - 51
FC6-4262-000	100 - 6	FC6-4361-000	300 - 6	FC6-4528-000	210 - 14
FC6-4264-000	100 - 8	FC6-4375-000	810 - 39	FC6-4529-000	100 - 20
FC6-4265-000	100 - 9	FC6-4376-000	140 - 2	FC6-4541-000	210 - 15
FC6-4266-000	100 - 10	FC6-4377-000	140 - 20	FC6-4558-000	210 - 20
FC6-4267-000	100 - 11	FC6-4386-000	140 - 3	FC6-4559-000	210 - 39
FC6-4268-000	100 - 12	FC6-4388-000	140 - 4	FC6-4561-000	210 - 40
FC6-4269-000	100 - 13	FC6-4399-000	103 - 6	FC6-4562-000	210 - 19
FC6-4271-000	100 - 15	FC6-4413-000	140 - 5	FC6-4573-000	210 - 16
FC6-4272-000	100 - 14	FC6-4414-000	140 - 6	FC6-4580-000	100 - 21
FC6-4273-000	100 - 16	FC6-4435-000	103 - 7	FC6-4582-000	210 - 5
FC6-4284-000	311 - 26	FC6-4436-000	250 - 1	FC6-4689-000	103 - 47
FC6-4285-000	311 - 6	FC6-4437-000	250 - 2	FC6-4690-000	101 - 6
FC6-4286-000	311 - 7	FC6-4438-020	350 - 2	FC6-4691-000	104 - 7
FC6-4288-000	313 - 51	FC6-4446-000	103 - 8	FC6-4693-000	102 - 24
FC6-4290-000	311 - 21	FC6-4447-000	103 - 9	FC6-4710-000	102 - 5
FC6-4290-000	313 - 32	FC6-4448-000	810 - 21	FC6-4720-000	102 - 6
FC6-4291-000	311 - 8	FC6-4449-000	810 - 16	FC6-4724-000	100 - 22
FC6-4297-000	310 - 9	FC6-4450-000	810 - 17	FC6-4727-000	210 - 17
FC6-4298-000	310 - 10	FC6-4452-000	810 - 3	FC6-4734-000	102 - 7
FC6-4300-000	310 - 11	FC6-4453-000	810 - 4	FC6-5425-000	130 - 1
FC6-4304-000	311 - 9	FC6-4454-000	810 - 41	FC6-5426-000	130 - 2
FC6-4304-000	313 - 24	FC6-4458-020	810 - 38	FC6-5427-000	130 - 3
FC6-4305-000	103 - 2	FC6-4462-000	810 - 5	FC6-5428-000	130 - 4
FC6-4306-000	103 - 3	FC6-4463-000	810 - 6	FC6-5429-000	130 - 5
FC6-4308-000	103 - 34	FC6-4465-000	350 - 13	FC6-5430-000	130 - 6
FC6-4309-000	103 - 35	FC6-4467-000	810 - 43	FC6-5431-000	130 - 7
FC6-4310-000	103 - 36	FC6-4470-000	350 - 4	FC6-5433-000	130 - 8
FC6-4311-000	103 - 4	FC6-4473-000	350 - 14	FC6-6706-000	312 - 5
FC6-4312-000	103 - 5	FC6-4474-000	350 - 5	FC6-6707-000	312 - 29
FC6-4313-000	141 - 7	FC6-4475-000	350 - 6	FC6-6710-000	312 - 22



# NUMERICAL INDEX

iR2016/2016J/2016i/2020/2020J/2020i/2020S

PARTS NUMBER	FIGURE & KEY NO.	PARTS NUMBER	FIGURE & KEY NO.	PARTS NUMBER	FIGURE & KEY NO
FC6-6712-000	310 -	FF3-4637-000	P31 - 8	FK2-1072-000	140 - 22
FC6-6712-000	312 -	FF3-4638-000	P33 - 3	FK2-1073-000	140 - 8
FC6-6714-000	312 - 17	FF6-1610-000	313 - 34	FK2-1074-000	103 - 13
FC6-6720-000	312 - 1	FF6-1621-000	311 - 16	FK2-1075-000	103 - 13
FC6-6740-000	S20 - 23	FF6-1621-000	313 - 28	FK2-1080-000	103 - 48
FC6-6752-000	S20 - 1	FG3-3501-000	810 - 12	FK2-1082-000	311 - 18
FC6-6753-000	S20 - 2	FG3-4036-000	P12 -	FK2-1085-000	104 - 8
FC6-6754-000	S20 - 15	FG3-4037-000	P31 -	FK2-1086-000	104 - 8
FC6-6755-000	S20 - 3	FG3-4038-020	P33 -	FK2-1101-000	104 - 23
FC6-6756-000	S20 - 4	FG3-4039-000	P11 - 22	FK2-1104-000	313 - 29
FC6-6757-000	S20 - 5	FG3-4040-000	P33 - 18	FK2-1114-000	S20 - 17
FC6-6758-000	S20 - 6	FG3-4041-000	P31 - 14	FK2-1137-000	102 - 11
FC6-6759-000	S20 - 7	FG3-4043-000	P31 - 10	FK2-1140-000	102 - 11
FC6-6759-000	S50 - 2	FG3-4044-000	P31 - 15	FK2-1141-000	102 - 11
FC6-6760-000	S20 - 8	FG3-4045-000	P31 - 16	FK2-1233-000	001 - 3
FC6-6764-000	S20 - 24	FG3-4052-000	P31 -	FK2-1236-000	001 - 7
FC6-6765-000	S20 - 9	FG6-8440-000	312 - 6	FK2-1601-000	102 - 11
FC6-6767-000	S20 - 10	FH2-7206-000	P11 - 32	FK2-1602-000	102 - 11
FC6-6768-000	S20 - 11	FH2-7207-000	P12 - 10	FK2-1604-000	102 - 11
FC6-6769-000	S20 - 25	FH2-7208-000	P12 - 11	FK2-2152-000	001 - 1
FC6-6776-000	S20 - 12	FH2-7209-000	P33 - 25	FK2-2152-000	001 - 4
FC6-6777-000	S20 - 13	FH2-7210-000	P11 - 33	FK2-2153-000	001 - 5
FC6-6778-000	S01 - 5	FH2-7211-000	P11 - 25	FK2-2154-000	001 - 6
FC6-6779-000	S50 - 3	FH2-7212-000	P12 - 12	FK2-3279-000	001 - 2
FC6-6780-000	S50 - 4	FH3-5235-000	930 - T3	FL2-3180-000	102 - 12
FC6-6781-000	S50 - 5	FH3-5238-000	930 - T1	FL2-3181-000	102 - 13
FC6-6782-000	S01 - 1	FH3-5239-000	930 - T2	FL2-3184-000	104 -
FC6-6783-000	S01 - 2	FH3-5240-000	930 - T4	FL2-3188-000	210 - 52
FC6-6784-000	S01 - 3	FH3-5257-000	930 - T7	FL2-3193-000	640 - 13
FC6-7092-000	101 - 8	FH5-1142-000	P33 - 49	FL2-3194-000	640 - 14
FC6-7103-000	140 - 7	FH5-3543-000	141 - 5	FL2-3197-000	640 - 15
FC7-1020-000	130 - 9	FH5-3730-000	P11 - 34	FL2-3200-000	140 - 23
FC7-1749-000	104 - 17	FH5-3731-000	P12 - 13	FL2-3201-000	140 - 25
FC7-1757-020	101 - 3	FH6-0735-000	130 - 10	FL2-3202-000	140 - 26
FC7-1760-000	900 - 6	FH6-5136-000	P11 - 26	FL2-3206-000	210 - 24
FC7-1770-000	311 - 44	FH7-7569-000	210 - 26	FL2-3207-000	210 - 24
FC7-1771-000	810 - 44	FH7-7569-000	210 - 26	FL2-3208-000	210 - 24
FE5-4048-000	311 - 29	FH7-7569-000	210 - 26	FL2-3212-000	311 - 22
FE5-4048-000	313 - 42	FK2-0216-000	P11 - 20	FL2-3213-000	103 - 15
FF3-4621-000	P11 - 5	FK2-0949-000	900 - IC140	FL2-3214-000	141 - 6
FF3-4624-000	P11 - 7	FK2-1056-000	102 - 11	FL2-3220-000	350 - 8
FF3-4625-000	P12 - 4	FK2-1058-000	104 - 2	FL2-3229-000	104 - 15
FF3-4626-000	P12 - 6	FK2-1059-000	104 - 3	FL2-3230-000	210 - 21
FF3-4627-000	P12 - 8	FK2-1060-000	210 - 7	FL2-3231-000	210 - 53
FF3-4628-000	P12 - 9	FK2-1061-000	210 - 18	FL2-3233-000	210 - 54
FF3-4629-000	P31 - 8	FK2-1062-000	102 - 9	FL2-3237-000	210 - 24
FF3-4630-000	P31 - 9	FK2-1064-000	210 - 8	FL2-3268-000	100 - 23
FF3-4631-000	P33 - 19	FK2-1066-020	210 - 28	FL2-3269-000	100 - 24
FF3-4632-000	P33 - 20	FK2-1067-000	102 - 10	FL2-3280-000	210 - 24
FF3-4633-000	P33 - 16	FK2-1068-000	311 - 17	FL2-3282-000	210 - 24
FF3-4634-000	P11 - 8	FK2-1069-000	103 - 12	FL2-3286-000	210 - 38
FF3-4636-000	P33 - 17	FK2-1070-000	140 - 21	FL2-3304-000	640 - 10

# NUMERICAL INDEX

iR2016/2016J/2016i/2020/2020J/2020i/2020S

PARTS NUMBER	FIGURE & KEY NO.	PARTS NUMBER	FIGURE & KEY NO.	PARTS NUMBER	FIGURE & KEY NO.
FL2-3463-000	130 - 11	FM2-4015-060	104 - 9	FM2-4517-000	S20 - 30
FL2-3736-000	312 - 20	FM2-4016-060	104 - 9	FM2-4518-000	S20 - 31
FL2-3744-000	S20 - 26	FM2-4017-060	104 - 9	FM2-4519-000	S20 - 32
FL2-3746-000	S01 - 4	FM2-4018-000	930 -	FM2-4520-000	S20 - 33
FL2-3856-000	S20 - 14	FM2-4020-000	101 - 18	FM2-4535-000	210 - 34
FL2-4785-000	130 - 12	FM2-4023-060	104 - 9	FM2-4536-000	210 - 47
FL2-4786-000	130 - 12	FM2-4024-060	104 - 9	FM2-4537-000	210 - 47
FL2-4788-000	130 - 12	FM2-4026-000	104 - 9	FM2-4538-000	104 - 25
FL2-4944-000	100 - 7	FM2-4026-060	104 - 9	FM2-4541-000	104 - 5
FL2-4945-000	100 - 7	FM2-4053-000	900 - 1	FM2-4542-000	104 - 14
FL2-4946-000	100 - 7	FM2-4054-000	900 - 1	FM2-4780-000	104 - 24
FL2-4947-000	100 - 7	FM2-4058-000	104 - 10	FM2-4784-000	130 - 16
FL2-4948-000	100 - 7	FM2-4060-000	900 - 5	FM2-4785-000	103 - 14
FL2-4949-000	100 - 7	FM2-4399-000	130 - 15	FM2-4786-000	103 - 14
FL2-4950-000	100 - 7	FM2-4400-000	210 - 41	FM2-4787-000	103 - 14
FL2-4960-000	100 - 7	FM2-4401-000	102 - 28	FM2-4788-000	103 - 14
FL2-4961-000	100 - 7	FM2-4402-000	102 - 26	FM2-4789-000	350 - 16
FL2-4962-000	100 - 7	FM2-4403-000	310 - 7	FM2-4791-000	210 - 36
FL2-4963-000	100 - 7	FM2-4404-000	104 - 13	FM2-4792-000	210 - 36
FL2-6297-000	100 - 7	FM2-4405-000	810 - 24	FM2-4893-000	900 - 1
FM2-2753-000	130 - 13	FM2-4408-000	103 - 45	FM2-4897-000	900 - 3
FM2-3286-000	640 -	FM2-4409-000	102 - 23	FM2-4898-000	900 - 3
FM2-3287-000	640 - 18	FM2-4410-000	104 - 4	FM2-5952-000	130 - 17
FM2-3288-000	640 - 19	FM2-4411-000	810 - 25	FM2-6353-000	130 - 18
FM2-3289-000	640 - 20	FM2-4412-000	210 - 44	FM2-6355-000	130 - 18
FM2-3293-000	102 - 8	FM2-4413-000	103 - 41	FM2-6356-000	130 - 18
FM2-3294-000	315 -	FM2-4414-000	104 - 12	FM2-6685-000	350 -
FM2-3313-000	300 -	FM2-4416-000	104 - 18	FS1-1205-000	311 - 30
FM2-3315-000	141 -	FM2-4417-000	140 - 43	FS1-1205-000	P13 - 43
FM2-3319-000	310 - 4	FM2-4418-000	210 - 10	FS2-1707-000	311 - 27
FM2-3320-040	311 -	FM2-4419-000	210 - 11	FS2-1708-000	P31 - 17
FM2-3325-000	300 - 8	FM2-4420-000	103 - 1	FS2-1708-000	P33 - 26
FM2-3326-000	300 - 17	FM2-4421-000	140 - 27	FS2-1709-000	P33 - 27
FM2-3330-000	140 -	FM2-4422-000	210 - 23	FS2-1710-000	P31 - 18
FM2-3331-000	140 - 46	FM2-4423-020	210 - 45	FS2-1710-000	P33 - 28
FM2-3333-000	140 -	FM2-4424-000	103 - 49	FS2-1711-000	P33 - 29
FM2-3344-000	250 -	FM2-4425-000	104 - 11	FS2-3885-000	P33 - 22
FM2-3345-000	810 -	FM2-4426-000	101 - 10	FS2-3886-000	P33 - 30
FM2-3346-000	810 - 13	FM2-4427-000	210 - 34	FS2-3887-000	P33 - 31
FM2-3348-000	810 - 19	FM2-4428-000	210 - 47	FS2-9540-000	P01 - 4
FM2-3349-000	810 - 20	FM2-4433-000	101 - 9	FS2-9542-020	P01 - 5
FM2-3350-000	280 -	FM2-4483-000	312 - 11	FS2-9567-000	P11 - 35
FM2-3351-000	350 -	FM2-4484-000	313 -	FS2-9567-000	P33 - 32
FM2-3352-000	810 -	FM2-4493-000	S50 - 1	FS2-9568-000	P11 - 28
FM2-3353-000	810 - 13	FM2-4495-000	312 - 19	FS2-9569-000	P11 - 29
FM2-3383-000	102 - 14	FM2-4496-000	312 -	FS2-9569-000	P12 - 14
FM2-3384-000	102 - 14	FM2-4497-000	312 - 23	FS2-9569-000	P31 - 20
FM2-4008-000	130 -	FM2-4498-000	312 - 24	FS2-9569-000	P33 - 33
FM2-4009-000	130 -	FM2-4499-000	312 - 25	FS2-9570-000	P11 - 36
FM2-4012-000	130 -	FM2-4500-000	312 - 27	FS2-9570-000	P33 - 51
FM2-4013-000	130 - 14	FM2-4515-000	S20 - 41	FS2-9571-000	P11 - 30
FM2-4014-060	104 - 9	FM2-4516-000	S01 - 8	FS2-9572-000	P12 - 15

# NUMERICAL INDEX

## iR2016/2016J/2016i/2020/2020J/2020i/2020S

PARTS NUMBER	FIGURE & KEY NO.	PARTS NUMBER	FIGURE & KEY NO.	PARTS NUMBER	FIGURE & KEY NO
FS2-9573-000	P31 - 19	FS9-0208-000	P01 - 10	FU5-8606-000	103 - 42
FS4-0644-000	P33 - 34	FS9-0208-000	P11 - 38	FU5-8607-000	140 - 1
FS4-0645-000	P33 - 23	FS9-0209-000	P01 - 10	FU5-8608-000	101 - 12
FS4-0646-000	P33 - 35	FS9-0209-000	P11 - 38	FU5-8609-000	300 - 22
FS4-0647-000	P33 - 36	FS9-0210-000	P12 - 7	FU5-8609-000	300 - 22
FS4-0648-000	P33 - 37	FS9-0211-000	P01 - 7	FU5-8610-000	101 - 20
FS4-0649-000	P33 - 38	FS9-0214-000	P01 - 8	FU5-8680-000	312 - 21
FS4-0650-000	P33 - 39	FS9-0216-000	P01 - 11	FU5-8696-000	S20 - 16
FS4-0651-000	P33 - 40	FS9-0217-000	P01 - 11	FU5-8697-000	S01 - 6
FS4-0652-000	P33 - 41	FS9-0218-000	P01 - 11	FU5-8699-000	S01 - 7
FS4-0653-000	P33 - 42	FS9-0220-000	P01 - 6	FU5-9340-000	900 - 2
FS4-0654-000	P31 - 21	FS9-0223-000	P01 - 9	FU6-0762-000	640 - 21
FS4-0657-000	P12 - 16	FS9-0245-000	P01 - 8	FU6-0763-000	640 - 22
FS4-0658-000	P12 - 17	FU5-0732-000	350 - 9	FU6-0764-000	640 - 23
FS4-0659-000	P33 - 43	FU5-1498-000	102 - 20	FU6-0765-000	640 - 1
FS4-0660-000	P33 - 44	FU5-1499-000	102 - 21	FU6-0766-000	250 - 5
FS4-2743-000	P11 - 31	FU5-1519-000	810 - 26	FU6-0767-000	250 - 6
FS4-2744-000	P33 - 45	FU5-1520-000	810 - 27	FU6-0769-000	311 - 36
FS4-2745-000	P33 - 46	FU5-1522-000	350 - 10	FU6-0770-000	311 - 37
FS4-2746-000	P33 - 21	FU5-1527-000	140 - 28	FU6-0771-000	311 - 38
FS4-2747-000	P31 - 22	FU5-1528-000	140 - 29	FU6-0773-000	141 - 12
FS4-2749-000	P33 - 52	FU5-1529-000	140 - 30	FU6-0775-000	311 - 39
FS4-2752-000	P33 - 24	FU5-1530-000	140 - 31	FU6-0776-000	311 - 40
FS4-2753-000	P33 - 47	FU5-2470-000	810 - 18	FU6-0788-000	250 - 4
FS4-2754-000	P31 - 1	FU5-2476-000	141 - 9	FU6-0790-000	250 - 7
FS5-9714-000	313 - 52	FU5-3339-000	210 - 32	FU6-0791-000	250 - 8
FS6-2917-000	300 - 20	FU5-3340-000	210 - 33	FU6-0792-000	250 - 9
FS7-0207-000	300 - 21	FU5-8574-000	101 - 11	FU6-0793-000	250 - 10
FS7-0225-000	311 - 31	FU5-8575-000	810 - 28	FU6-0794-000	103 - 38
FS7-0225-000	313 - 44	FU5-8576-000	810 - 29	FU6-0795-000	250 - 11
FS7-0226-000	311 - 32	FU5-8581-000	210 - 25	FU6-0796-000	103 - 39
FS7-0226-000	313 - 45	FU5-8582-000	210 - 27	FU6-0799-000	810 - 30
FS7-0227-000	313 - 46	FU5-8584-000	300 - 15	FU6-0800-000	810 - 31
FS7-0228-000	311 - 33	FU5-8585-000	310 - 8	FU6-0801-000	810 - 32
FS7-0228-000	313 - 47	FU5-8586-000	310 - 13	FU6-0802-000	280 - 1
FS7-0229-000	311 - 34	FU5-8587-000	300 - 16	FU6-0803-000	102 - 16
FS7-0229-000	313 - 48	FU5-8588-000	300 - 14	FU6-0804-000	280 - 2
FS7-0230-000	311 - 35	FU5-8589-000	315 - 9	FU6-0806-000	103 - 17
FS7-0230-000	313 - 49	FU5-8590-000	210 - 25	FU6-0813-020	140 - 32
FS7-8335-000	102 - 15	FU5-8591-000	210 - 27	FU6-0814-000	140 - 33
FS9-0196-000	P01 - 6	FU5-8592-000	210 - 25	FU6-0933-000	S20 - 18
FS9-0197-000	P11 - 21	FU5-8593-000	210 - 27	FU6-0934-000	S20 - 19
FS9-0198-000	P11 - 6	FU5-8594-000	210 - 27	FU6-0935-000	S20 - 34
FS9-0200-000	P11 - 37	FU5-8595-000	210 - 27	FU6-0936-000	S20 - 20
FS9-0201-000	P01 - 9	FU5-8596-000	210 - 27	FU6-0937-000	S20 - 35
FS9-0201-000	P11 - 37	FU5-8600-000	300 - 23	FU6-0938-000	S20 - 27
FS9-0202-000	P01 - 9	FU5-8601-000	300 - 22	FU6-0939-000	S20 - 28
FS9-0202-000	P11 - 37	FU5-8601-000	300 - 22	FU6-0940-000	S20 - 36
FS9-0203-000	P11 - 9	FU5-8602-000	100 - 17	FU6-2146-000	102 - 18
FS9-0206-000	P11 - 38	FU5-8603-000	100 - 18	FU6-2148-000	103 - 21
FS9-0207-000	P01 - 10	FU5-8604-000	315 - 9	FU6-2149-000	103 - 22
FS9-0207-000	P11 - 38	FU5-8605-000	315 - 8	FU6-2150-000	103 - 23

# NUMERICAL INDEX

iR2016/2016J/2016i/2020/2020J/2020i/2020S

PARTS NUMBER	FIGURE & KEY NO.	PARTS NUMBER	FIGURE & KEY NO.	PARTS NUMBER	FIGURE & KEY NO
FU6-2151-000	103 - 24	NPN	P01 -	XB4-5300-807	130 - 502
FU6-2152-000	103 - 25	NPN	P11 -	XB4-5401-005	100 - 501
FU6-2156-000	103 - 28	NPN	S01 -	XB4-5401-005	103 - 501
FU6-2157-000	103 - 29	NPN	S20 -	XB4-5401-005	140 - 501
FU6-2158-000	103 - 30	NPN	S50 -	XB4-5401-005	141 - 501
FU6-2159-000	103 - 31	RB2-1850-000	250 - 13	XB4-5401-005	310 - 501
FU6-2160-000	140 - 44	VS1-7177-002	140 - 38	XB4-5401-005	315 - 501
FU6-2162-000	140 - 45	VS1-7177-002	312 - 10	XB4-5401-007	310 - 502
FU6-2170-000	310 - 12	VS1-7177-003	102 - 27	XB4-5401-007	312 - 501
FU6-2171-000	141 - 8	VS1-7177-003	140 - 39	XB4-5401-007	S01 - 501
FU6-2173-000	141 - 10	VS1-7177-004	140 - 40	XB4-5401-007	S20 - 501
FU6-2174-000	311 - 41	VS1-7177-004	210 - 6	XB4-5401-007	S50 - 501
FU6-2175-000	311 - 42	VS1-7177-010	104 - 6	XB4-7300-807	640 - 501
FU6-2175-000	313 - 53	VS1-7177-013	312 - 26	XB4-7401-009	103 - 502
FU6-2176-000	103 - 16	VS1-7207-006	104 - 19	XB4-7401-009	300 - 501
FU6-2177-020	141 - 13	VS1-7207-007	104 - 20	XB4-7401-009	311 - 501
FU6-2178-000	140 - 47	VS1-7207-012	S01 - 9	XB4-7401-009	313 - 501
FU6-2180-000	140 - 34	VT2-5177-005	900 - 4	XB4-7401-209	350 - 501
FU6-2181-000	140 - 35	WC2-5332-000	310 - 6	XB6-7300-407	210 - 501
FU6-2182-000	140 - 36	WC2-5332-000	312 - 8	XB6-7300-609	311 - 502
FU6-2183-020	140 - 37	WE8-5648-000	312 -	XB6-7300-609	313 - 503
FU6-2184-000	250 - 12	WE8-6346-000	104 - 21	XB6-7300-609	S01 - 502
FU6-2185-000	810 - 33	WG8-5624-000	313 - 50	XB6-7300-805	102 - 501
FU6-2186-000	810 - 34	WG8-5696-000	101 - 22	XB6-7300-805	104 - 501
FU6-2188-000	810 - 23	WG8-5696-000	103 - 37	XB6-7300-807	104 - 502
FU6-2189-000	350 - 11	WG8-5696-000	140 - 41	XD1-1106-231	210 - 503
FU6-2190-000	210 - 29	WG8-5696-000	210 - 43	XD1-1106-235	312 - 503
FU6-2191-000	210 - 42	WG8-5696-000	311 - 43	XD2-1100-322	P33 - 501
FU6-2193-000	210 - 3	WG8-5696-000	350 - 18	XD2-1100-502	P31 - 501
FU6-2194-000	101 - 17	WG8-5696-000	810 - 35	XD2-1100-502	P33 - 503
FU6-2195-000	103 - 32	WG8-5696-000	P12 - 1	XD2-1100-642	P33 - 502
FU6-2198-000	103 - 26	WG8-5696-000	P33 - 48	XD3-1200-122	313 - 35
FU6-2199-000	103 - 33	WG8-5696-000	S20 - 39	XD3-2200-102	P11 - 502
FU6-2206-000	350 - 12	WK1-5130-000	900 - BAT351	XD3-2200-102	P31 - 502
FU6-2207-020	102 - 17	XA9-0702-000	810 - 15	XD9-0133-000	311 - 23
FU6-2208-000	810 - 40	XA9-1116-000	S20 - 21	XD9-0133-000	313 - 37
FU6-2209-000	103 - 46	XA9-1415-000	210 - 22	XD9-0134-000	810 - 14
FU6-2210-000	350 - 17	XA9-1567-000	100 - 25	XD9-0136-000	140 - 42
FU6-2236-000	210 - 1	XA9-1567-000	101 - 7	XD9-0136-000	210 - 35
FU6-2387-000	S20 - 37	XA9-1567-000	102 - 22	XD9-0136-000	311 - 24
FU6-2388-000	S20 - 38	XA9-1567-000	103 - 50	XD9-0136-000	312 - 18
NPN	001 -	XA9-1567-000	104 - 16	XD9-0136-000	313 - 38
NPN	100 -	XA9-1567-000	210 - 46	XD9-0136-000	810 - 37
NPN	101 -	XB1-1401-407	P11 - 503	XD9-0136-000	S20 - 22
NPN	102 -	XB1-2300-407	130 - 501	XF2-1109-040	S20 - 29
NPN	103 -	XB1-2400-607	312 - 502	XF2-1112-240	S20 - 40
NPN	104 -	XB2-4300-605	P11 - 501	XF2-1607-240	P33 - 50
NPN	210 -	XB2-7300-607	250 - 501	XF2-4620-340	210 - 4
NPN	300 -	XB2-7300-607	311 - 503	XF2-4661-440	210 - 9
NPN	310 -	XB2-7300-607	312 - 504	XH9-0135-000	310 - 14
NPN	312 -	XB2-7300-607	313 - 502	XH9-0135-000	312 - 28
NPN	900 -	XB2-8400-805	210 - 502		

# **iR2016/2016J/2016i/2020/2020J/2020i/ 2020S**

## **iR2016**

<b>120V TW</b>	<b>F18-8901-000</b>	<b>KRL</b>
<b>120V</b>	<b>F18-8932-000</b>	<b>KRE</b>
<b>230V</b>	<b>F18-8941-000</b>	<b>KRJ</b>
<b>230V CN</b>	<b>F18-8960-000</b>	<b>KRK</b>
<b>230V AU</b>	<b>F18-8961-000</b>	<b>KRC</b>
<b>230V KR</b>	<b>F18-8970-000</b>	<b>SXW</b>
<b>230V EUR</b>	<b>F18-8991-000</b>	<b>KRB</b>

## **iR2016i**

<b>120V TW</b>	<b>F18-8902-000</b>	<b>SRN</b>
<b>120V US</b>	<b>F18-8933-000</b>	<b>SRH</b>
<b>230V</b>	<b>F18-8942-000</b>	<b>SRK</b>
<b>230V AU</b>	<b>F18-8962-000</b>	<b>SRK</b>
<b>230V CN</b>	<b>F18-8986-000</b>	<b>SRM</b>
<b>230V EUR</b>	<b>F18-8992-000</b>	<b>SRJ</b>

## **iR2016J**

<b>120V</b>	<b>F18-8939-000</b>	<b>KQW</b>
<b>230V</b>	<b>F18-8949-000</b>	<b>KQY</b>
<b>230V CN</b>	<b>F18-8969-000</b>	<b>KQZ</b>
<b>230V EUR</b>	<b>F18-8999-000</b>	<b>KQX</b>

## iR2020

120V TW	F18-8903-000	KRU
120V	F18-8934-000	KRR
230V	F18-8943-000	KRS
230V AU	F18-8963-000	KRQ
230V CN	F18-8968-000	KRT
230V KR	F18-8974-000	SXX
230V EUR	F18-8993-000	KRP

## iR2020i

120V TW	F18-8904-000	SRG
120V US	F18-8935-000	SRB
230V	F18-8944-000	SRE
230V AU	F18-8964-000	SRD
230V KR	F18-8978-000	SXY
230V CN	F18-8988-000	SRF
230V EUR	F18-8994-000	SRC

## iR2020J

230V	F18-8945-000	KRM
230V CN	F18-8965-000	KRN

## iR2020S

230V CN	F18-8966-000	TUS
---------	--------------	-----

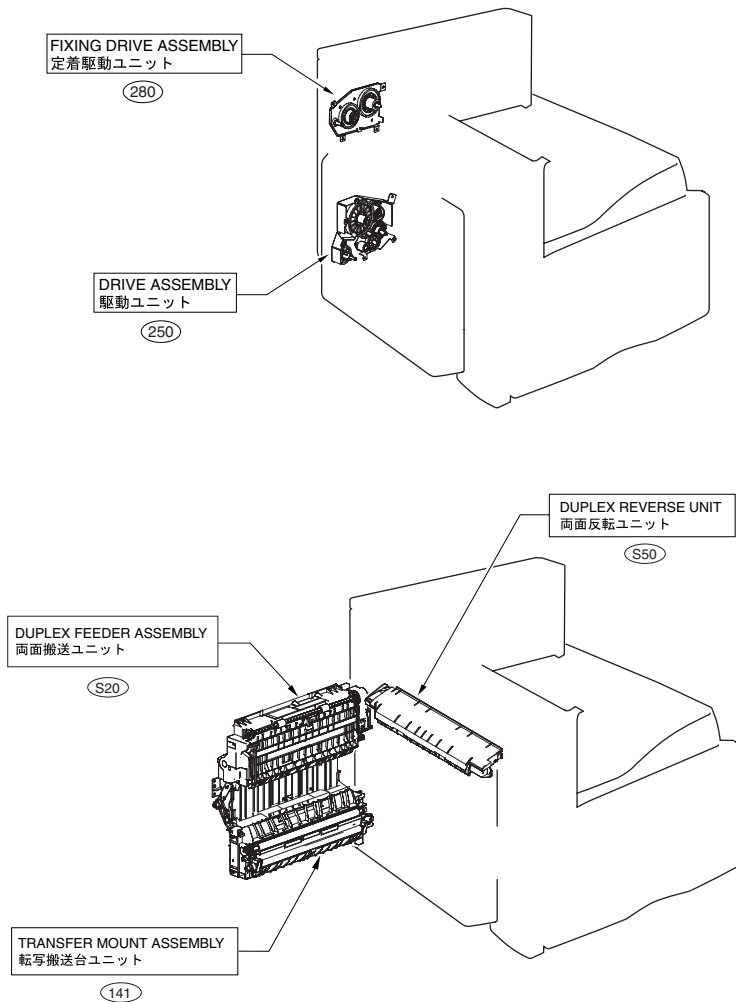
# Contents

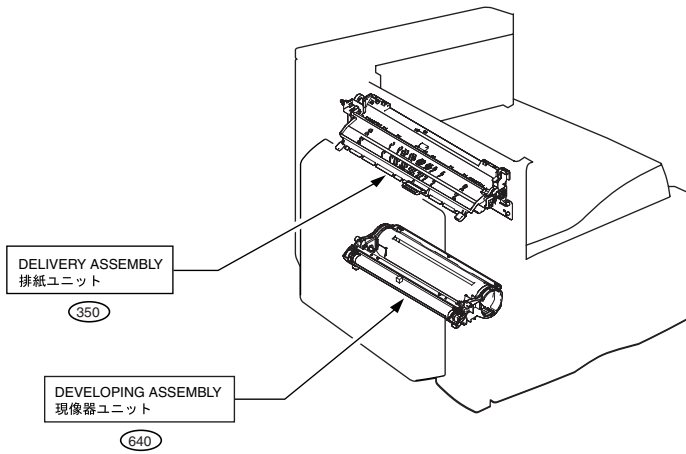
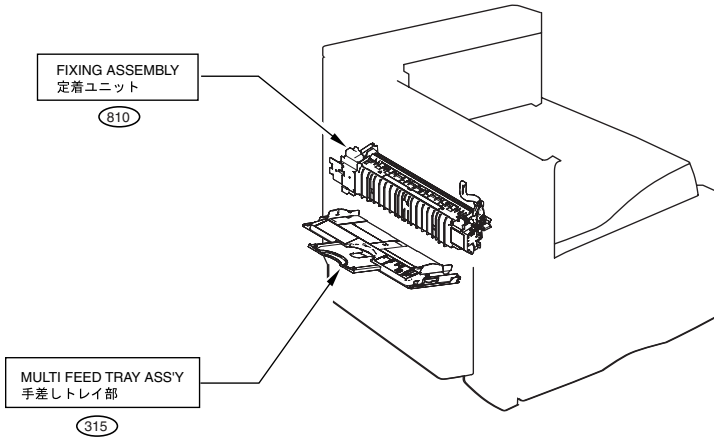
A	ASSEMBLY LOCATION DIAGRAM .....	2-1
001	ACCESSORIES .....	2-4
100	EXTERNAL COVERS, PANELS, ETC. ....	2-6
101	MACHINE FRONT PLATE .....	2-9
102	INTERNAL COMPONENTS .....	2-11
103	INTERNAL COMPONENTS .....	2-14
104	MACHINE REAR PLATE .....	2-17
130	CONTROL PANEL ASSEMBLY .....	2-20
140	LEFT DOOR ASSEMBLY .....	2-22
141	TRANSFER MOUNT ASSEMBLY .....	2-25
210	READER ASSEMBLY .....	2-27
250	MAIN DRIVE ASSEMBLY .....	2-32
280	FIXING DRIVE ASSEMBLY .....	2-34
300	CASSETTE .....	2-36
310	CASSETTE FEEDER ASSEMBLY .....	2-38
311	PAPER PICK-UP ASSEMBLY .....	2-40
312	CASSETTE FEEDER ASSEMBLY .....	2-43
313	PAPER PICK-UP ASSEMBLY .....	2-46
315	MULTI FEED TRAY ASS'Y .....	2-49
350	PAPER DELIVERY ASSEMBLY .....	2-51
640	DEVELOPING ASSEMBLY .....	2-53
810	FIXING ASSEMBLY .....	2-55
900	COUNTER PCB ASSEMBLY .....	2-58
930	HVT PCB ASSEMBLY .....	2-60
P01	PACKING KIT .....	2-62
P11	ADF ASSEMBLY .....	2-64
P12	DOCUMENT TRAY ASSEMBLY .....	2-67
P31	OPEN/CLOSE PANEL ASSEMBLY .....	2-69
P33	PAPER FEEDER ASSEMBLY .....	2-71
S01	PACKING KIT .....	2-74
S20	DUPLEX FEEDER ASSEMBLY .....	2-76
S50	DUPLEX REVERSE UNIT .....	2-79

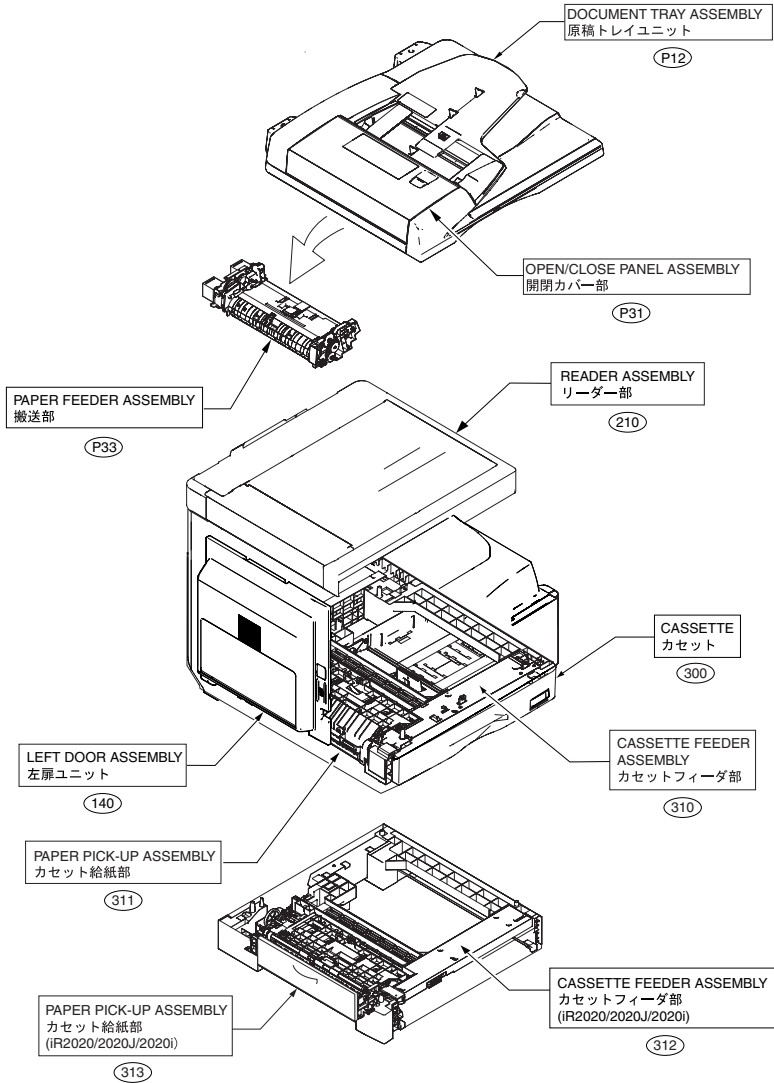




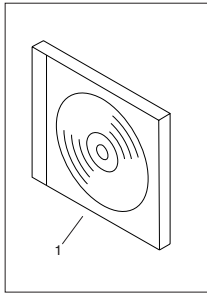
# FIGURE A ASSEMBLY LOCATION DIAGRAM



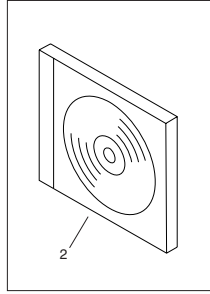




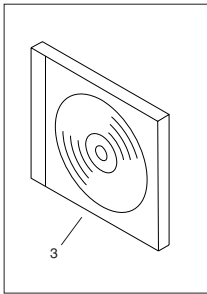
# FIGURE 001 ACCESSORIES



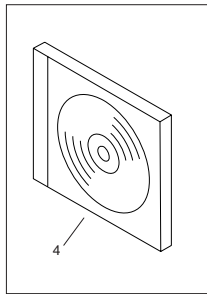
KRL/KRE/KRJ/KRK/KRU/KRR/KRS/KRT



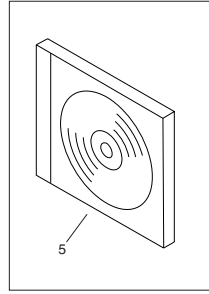
KRL/KRK/KRT/KRM



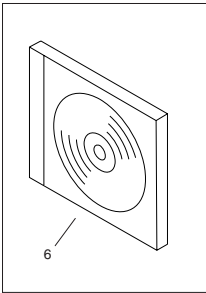
SRJ/SRB



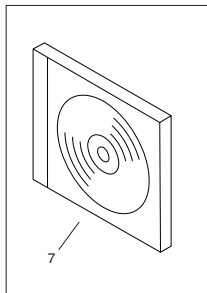
SRH/SRJ/SRK/SRL/SRM/SRB/SRD  
SRE/SRC



SRJ/SRK/SRC



SRJ/SRK/SRC



SRJ/SRC

FIGURE & KEY NO.	PARTS NUMBER	RANK	Q'TY	DESCRIPTION	SERIAL NUMBER/REMARKS	SVC
Fig.001	NPN		RF	ACCESSORIES		
1	FK2-2152-000		1	CD-ROM, FAX DRIVER	SRH/SRJ/SRK/SRL/SRM/SRB/SRD/SRE/SRC KRL/KRE/KRJ/KRK/KRU/KRR/KRS/KRT/SRN/SG/SRF(English)	

FIGURE & KEY NO.	PARTS NUMBER	RANK	Q'TY	DESCRIPTION	SERIAL NUMBER/REMARKS	SVC
2	FK2-3279-000		1	CD-ROM, FAX DRIVER	KRL/KRK/KRT/KRU SRM/ SRN/SRF/SRG	
3	FK2-1233-000		1	CD-ROM, FAX DRIVER	SRH/SRB	
4	FK2-2152-000		1	CD-ROM, FAX DRIVER	SRH/SRJ/SRK SRL/SRM/ SRB SRD/SRE/SRC	
5	FK2-2153-000		1	CD-ROM, FAX DRIVER	SRJ/SRC (French/ Spanish)	
6	FK2-2154-000		1	CD-ROM, FAX DRIVER	SRJ/SRC (Germany/ Italian)	
7	FK2-1236-000		1	CD-ROM, FAX DRIVER	SRJ/SRC	

# FIGURE 100 EXTERNAL COVERS, PANELS, ETC.

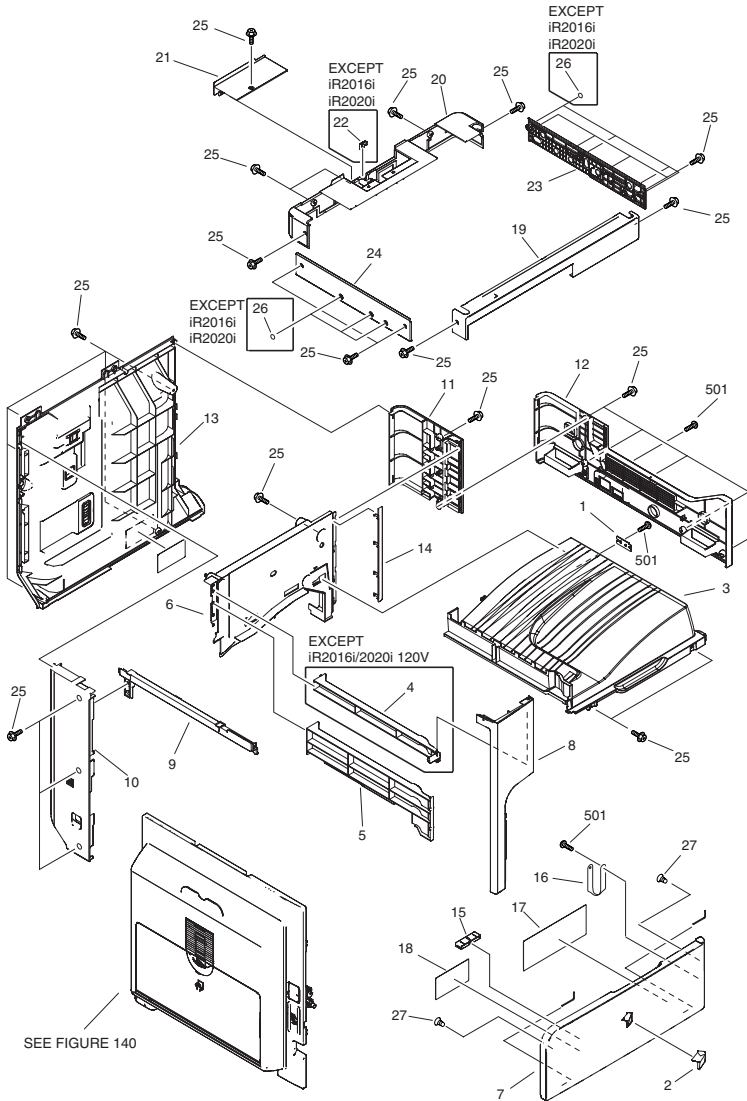


FIGURE & KEY NO.	PARTS NUMBER	RANK	QTY	DESCRIPTION	SERIAL NUMBER/REMARKS	SVC
Fig.100	NPN		RF	EXTERNAL COVERS, PANELS, ETC.		
1	FC6-4476-000		1	PLATE, SUPPORT, COVER		

FIGURE & KEY NO.	PARTS NUMBER	R A N K	Q'TY	DESCRIPTION	SERIAL NUMBER/ REMARKS	S V C
2	FC5-1280-000		1	EMBLEM		
3	FC6-4259-000		1	TRAY, DELIVERY		
4	FC6-4260-000		1	COVER, PAPER FEED A		
5	FC6-4261-000		1	COVER, PAPER FEED B		
6	FC6-4262-000		1	COVER, REAR, DELIVERY		
7	FL2-4960-000		1	COVER, FRONT	EXCEPT iR2016i/iR2020i US	
7	FL2-4949-000		1	COVER, FRONT	iR2016 EXCEPT US	
7	FL2-4950-000		1	COVER, FRONT	iR2016 US	
7	FL2-4948-000		1	COVER, FRONT	iR2016J EXCEPT US	
7	FL2-4947-000		1	COVER, FRONT	iR2016J US	
7	FL2-4962-000		1	COVER, FRONT	iR2016i TW	
7	FL2-4963-000		1	COVER, FRONT	iR2016i US	
7	FL2-4945-000		1	COVER, FRONT	iR2020 EXCEPT US	
7	FL2-4946-000		1	COVER, FRONT	iR2020 US	
7	FL2-4944-000		1	COVER, FRONT	iR2020J	
7	FL2-6297-000		1	COVER, FRONT	iR2020S	
7	FL2-4961-000		1	COVER, FRONT	iR2020i US	
8	FC6-4264-000		1	COVER, LEFT, FRONT		
9	FC6-4265-000		1	COVER, LEFT, CENTER		
10	FC6-4266-000		1	COVER, REAR, LEFT		
11	FC6-4267-000		1	COVER, RIGHT, UPPER		
12	FC6-4268-000		1	COVER, RIGHT, LOWER		
13	FC6-4269-000		1	COVER, REAR		
14	FC6-4272-000		1	COVER, BLIND		
15	FC6-4271-000		1	COVER, FOOL PROOF		
16	FC6-4273-000		1	STRAP, COVER SUPPORT		
17	FU5-8602-000		1	LABEL, TONER CARTRIDGE		
18	FU5-8603-000		1	LABEL, LEVER, DEVELOPING SET		
19	FC6-4519-000		1	COVER, READER, FRONT		
20	FC6-4529-000		1	COVER, READER, REAR		
21	FC6-4580-000		1	WINDOW, PCB		

FIGURE & KEY NO.	PARTS NUMBER	RANK	Q'TY	DESCRIPTION	SERIAL NUMBER/REMARKS	SVC
22	FC6-4724-000		1	COVER, CABLE, DF	EXCEPT iR2016i/iR2020i	
23	FL2-3268-000		1	COVER, READER, RIGHT		
24	FL2-3269-000		1	COVER, READER, LEFT		
25	XA9-1567-000		AR	SCREW, RS, M3X8.5		
26	FC6-4513-000		6	SEAL		
27	FA9-3870-000		2	CATCH, MAGNET		
501	XB4-5401-005		2	SCREW, P, M4X10		



# FIGURE 101 MACHINE FRONT PLATE

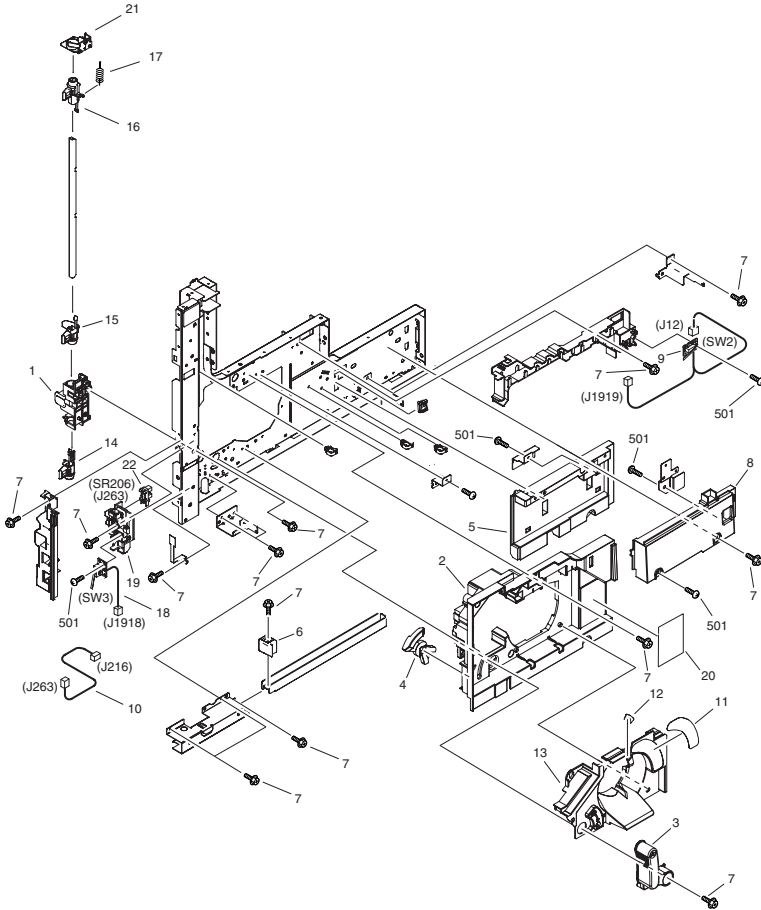


FIGURE & KEY NO.	PARTS NUMBER	RANK	Q'TY	DESCRIPTION	SERIAL NUMBER/REMARKS	SVC
Fig.101	NPN		RF	MACHINE FRONT PLATE		
1	FC6-4113-000		1	BUSHING, HOOK		
2	FC6-4140-020		1	PANEL, INNER		
3	FC7-1757-020		1	LEVER, DEV, PRESSURE	EUR	
3	FC6-4143-020		1	LEVER, DEV, PRESSURE	EXCEPT EUR	
4	FC6-4146-020		1	ARM, RELEASE, LEFT DOOR		
5	FC6-4149-000		1	PANEL, INNER, RIGHT		
6	FC6-4690-000		1	CAP, GRIP, FRONT		
7	XA9-1567-000		AR	SCREW, RS, M3X8.5		
8	FC6-7092-000		1	PANEL, INNER, UPPER		
9	FM2-4433-000		1	DOOR SWITCH PCB ASS'Y 2	SW2 J12,1919	
10	FM2-4426-000		1	CABLE, WASTE TONER DETECTION	J216,263	
11	FU5-8574-000		1	LABEL, TONER BOTTLE		
12	FU5-8608-000		1	LABEL, TONER SET INSTRUCTION		
13	FC6-4144-000		1	GUIDE, TONER BOTTLE		
14	FC6-4114-000		1	HOOK, DOOR, LOWER		
15	FC6-4115-000		1	HOOK, DOOR, MIDDLE		
16	FC6-4120-000		1	HOOK, DOOR, UPPER		
17	FU6-2194-000		1	SPRING, TENSION		
18	FM2-4020-000		1	DOOR SWITCH PCB ASS'Y	SW3 J1918	
19	FC6-4147-000		1	GUIDE, SENSOR, TONER FULL		
20	FU5-8610-000		1	LABEL, CAUTION, LASER		
21	FC6-4116-000		1	BUSHING, DOOR HOOK, UPPER		
22	WG8-5696-000		1	PHOTO INTERRUPTER, TLP1243	SR206 J263	

# FIGURE 102 INTERNAL COMPONENTS

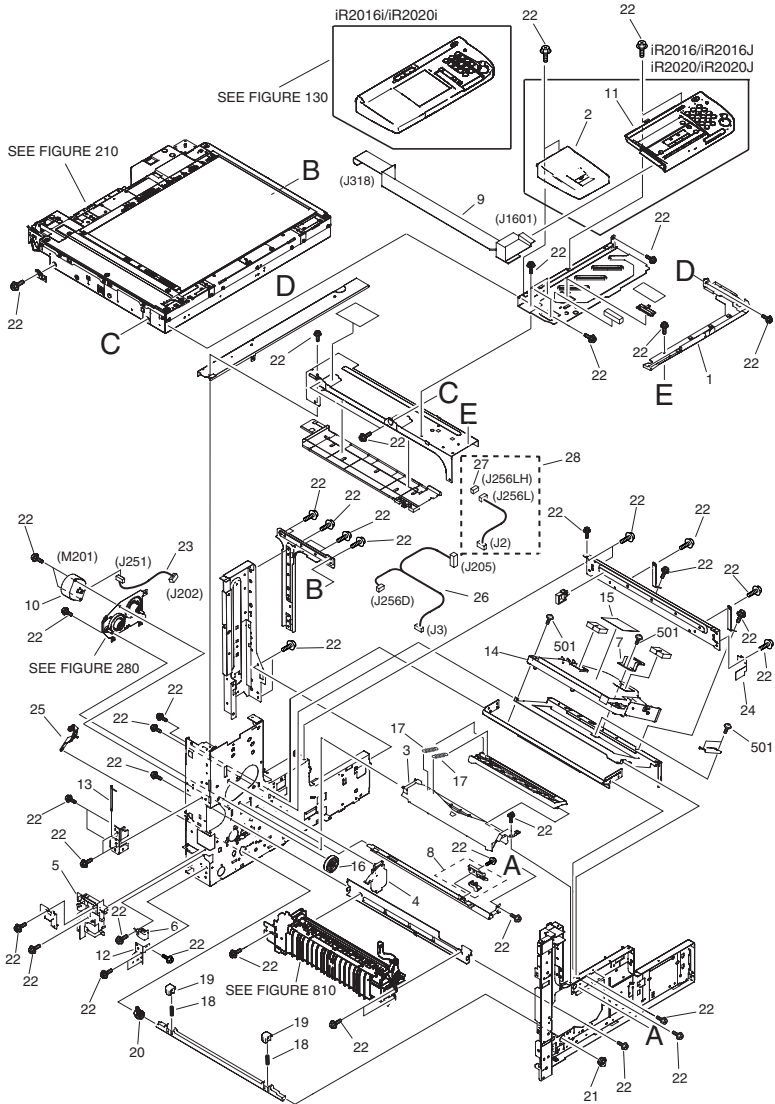


FIGURE & KEY NO.	PARTS NUMBER	R A N K	Q'TY	DESCRIPTION	SERIAL NUMBER/ REMARKS	S V C
Fig.102	NPN		RF	INTERNAL COMPONENTS		
1	FC6-4235-000		1	COVER, OPERATOR, LOWER		
2	FC6-4236-000		1	COVER, OPERATOR, LEFT	EXCEPT iR2016i/iR2020i	
3	FC6-4478-000		1	DUCT, AIR		
4	FC6-4482-000		1	COVER, GEAR		
5	FC6-4710-000		1	BLOCK, POSITIONING, DOOR		
6	FC6-4720-000		1	BLOCK, POSITIONING, DOOR		
7	FC6-4734-000		1	WASHER, SQUARE		
8	FM2-3293-000		1	HOOK, DRUM, ASSY		
9	FK2-1062-000		1	CABLE, FLAT, OPERATION	J318,1601	
10	FK2-1067-000		1	MOTOR, STEPPING, DC24V	M201	
11	FK2-1141-000		1	CONTROL PANEL ASSEMBLY	KQW/KQY/KRM	
11	FK2-1140-000		1	CONTROL PANEL ASSEMBLY	KQX	
11	FK2-1604-000		1	CONTROL PANEL ASSEMBLY	KQZ/KRN	
11	FK2-1056-000		1	CONTROL PANEL ASSEMBLY	KRB/KRP	
11	FK2-1137-000		1	CONTROL PANEL ASSEMBLY	KRE/KRJ/KRC/KRR/KRS/ KRQ	
11	FK2-1601-000		1	CONTROL PANEL ASSEMBLY	KRK/KRT	
11	FK2-1602-000		1	CONTROL PANEL ASSEMBLY	KRL/KRU	
12	FL2-3180-000		1	PLATE, HINGE, LOWER		
13	FL2-3181-000		1	HINGE PIN UNIT		
14	FM2-3384-000		1	LASER SCANNER ASSEMBLY	iR2016/2020	
14	FM2-3383-000		1	LASER SCANNER ASSEMBLY	iR2016J/2020J/2020S	
15	FS7-8335-000		1	LABEL, LASER WARNING		
16	FU6-0803-000		1	GEAR, 31T		
17	FU6-2207-020		2	SPRING, TORSION		
18	FU6-2146-000		2	SPRING, COMPRESSION		
19	FC6-4135-000		2	CAM, PRESSURE, DEV.		
20	FU5-1498-000		1	BUSHING, DEVELOPING, REAR		
21	FU5-1499-000		1	BUSHING, DEVELOPING, FRONT		
22	XA9-1567-000		88	SCREW, RS, M3X8.5		
23	FM2-4409-000		1	CABLE, FIXING MOTOR	J202,251	

FIGURE & KEY NO.	PARTS NUMBER	R A N K	Q'TY	DESCRIPTION	SERIAL NUMBER/ REMARKS	S V C
24	FC6-4693-000		1	SPRING, LEAF		
25	FC6-4244-000		1	ARM, RELEASE, DEVELOPPING		
26	FM2-4402-000		1	CABLE, BD-POLYGON	J3,205,256D	
27	VS1-7177-003		1	CONNECTOR, SNAP TIGHT, BK	J256LH	
28	FM2-4401-000		1	CABLE, BD	J2,256L	
501	XB6-7300-805		3	SCREW, BH3X8		

# FIGURE 103 INTERNAL COMPONENTS

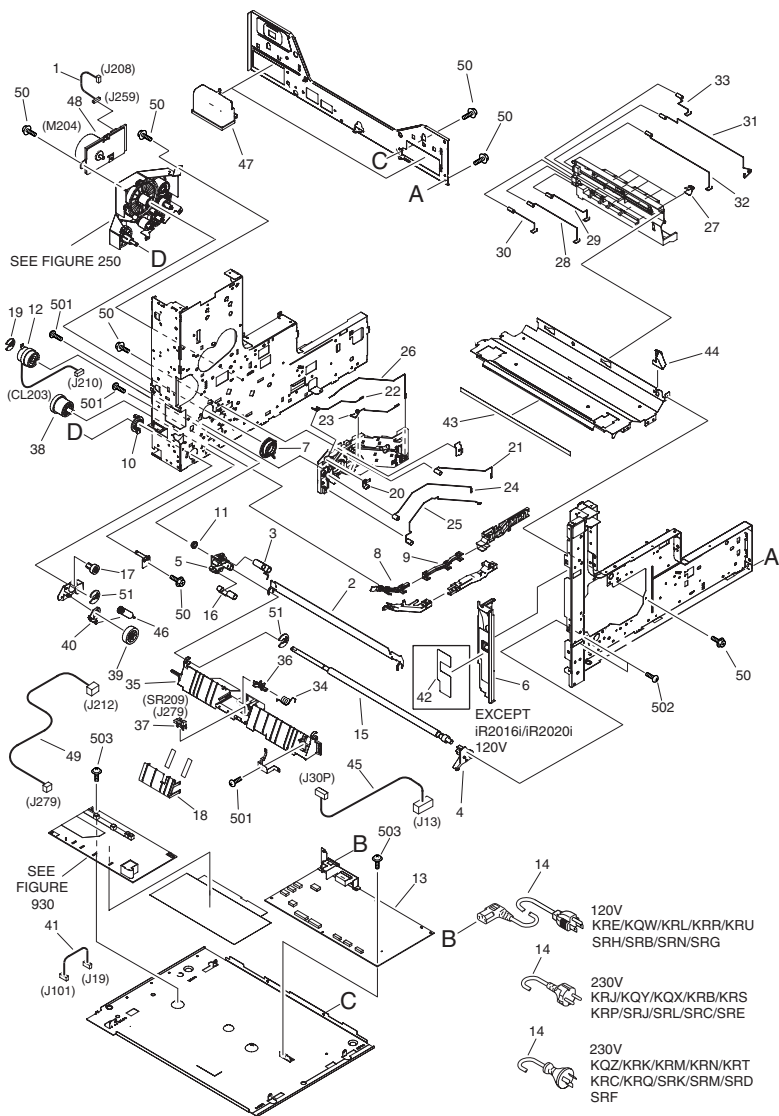


FIGURE & KEY NO.	PARTS NUMBER	R A N K	Q'TY	DESCRIPTION	SERIAL NUMBER/ REMARKS	S V C
Fig.103	NPN		RF	INTERNAL COMPONENTS		
1	FM2-4420-000		1	CABLE, MAIN MOTOR	J208,259	
2	FC6-4305-000		1	GUIDE, TRANSFER, UPPER		
3	FC6-4306-000		1	SPRING		
4	FC6-4311-000		1	BUSHING, TRANSFER, FRONT		
5	FC6-4312-000		1	BUSHING, TRANSFER, REAR		
6	FC6-4399-000		1	COVER, INNER, LEFT-UP		
7	FC6-4435-000		1	BUSHING		
8	FC6-4446-000		1	LID, AC-1		
9	FC6-4447-000		1	LID, AC-2		
10	FC6-4495-000		1	BUSHING		
11	FA9-2112-000		1	BUSHING, PL		
12	FK2-1069-000		1	CLUTCH, REGISTRATION	CL203 J210	
13	FK2-1074-000		1	POWER SUPPLY ASS'Y	120V	
13	FK2-1075-000		1	POWER SUPPLY ASS'Y	230V	
14	FM2-4785-000		1	CORD, POWER	120V KRE/KQW/KRL/ KRR/KRU	
14	FM2-4787-000		1	CORD, POWER	230V KQZ/KRK/KRM/ KRN/KRT	
14	FM2-4788-000		1	CORD, POWER	230V KRC/KRQ	
14	FM2-4786-000		1	CORD, POWER	230V KRJ/KQY/KQX/KRB/ KRS/KRP	
15	FL2-3213-000		1	ROLLER, REGISTRATION		
16	FU6-2176-000		1	SPRING, EARTH		
17	FU6-0806-000		1	GEAR, 17T		
18	FC6-4360-000		1	GUIDE, PRE-REGIST SENSOR		
19	FA3-8727-000	N	1	RING, RETAINING		
20	FC6-4148-000		1	TERMINAL, LEAF, FIXING BIAS		
21	FU6-2148-000		1	TERMINAL, CHARGE		
22	FU6-2149-000		1	TERMINAL, DEVELOPING		
23	FU6-2150-000		1	TERMINAL, DETECTION		
24	FU6-2151-000		1	TERMINAL, STATIC ELIMINATOR		
25	FU6-2152-000		1	TERMINAL, TRANSFER		

FIGURE & KEY NO.	PARTS NUMBER	R A N K	Q'TY	DESCRIPTION	SERIAL NUMBER/ REMARKS	S V C
26	FU6-2198-000		1	TERMINAL, FIXING		
27	FC6-4138-000		5	TERMINAL, LEAF, HVT		
28	FU6-2156-000		1	TERMINAL, CHARGE		
29	FU6-2157-000		1	TERMINAL, DEVELOPING		
30	FU6-2158-000		1	TERMINAL, DETECTION		
31	FU6-2159-000		1	TERMINAL, STATIC ELIMINATOR		
32	FU6-2195-000		1	TERMINAL, TRANSFER		
33	FU6-2199-000		1	TERMINAL, FIXING		
34	FC6-4308-000		1	SPRING, TORSION		
35	FC6-4309-000		1	GUIDE, PRE-REGIST, UPPER		
36	FC6-4310-000		1	FLAG, SENSOR, PRE-REGIST		
37	WG8-5696-000		1	PHOTO INTERRUPTER, TLP1243	SR209 J279	
38	FU6-0794-000		1	GEAR, 29T		
39	FU6-0796-000		1	GEAR, 33T		
40	FC6-4191-000		1	STOPPER, MULTI FEED		
41	FM2-4413-000		1	CABLE, HVT POWER	J19,101	
42	FU5-8606-000		1	LABEL, JAM CLEARING		
43	FC6-4205-000		1	SHEET, CLEANING		
44	FC6-4245-000		1	GUIDE, DEVELOPING		
45	FM2-4408-000		1	CABLE, FIXING HEATER	J13,30P	
46	FU6-2209-000		1	SPRING, TENSION		
47	FC6-4689-000		2	HANDLE		
48	FK2-1080-000		1	MOTOR, DC24V	M204	
49	FM2-4424-000		1	CABLE, RESIST SENSOR	J212,279	
50	XA9-1567-000		AR	SCREW, RS, M3X8.5		
51	FA4-1159-000		2	RING, RETAINING		
501	XB4-5401-005		AR	SCREW, P, M4X10		
502	XB4-7401-009		AR	SCREW,TAPPING,PAN HEAD,M4X10		



# FIGURE 104 MACHINE REAR PLATE

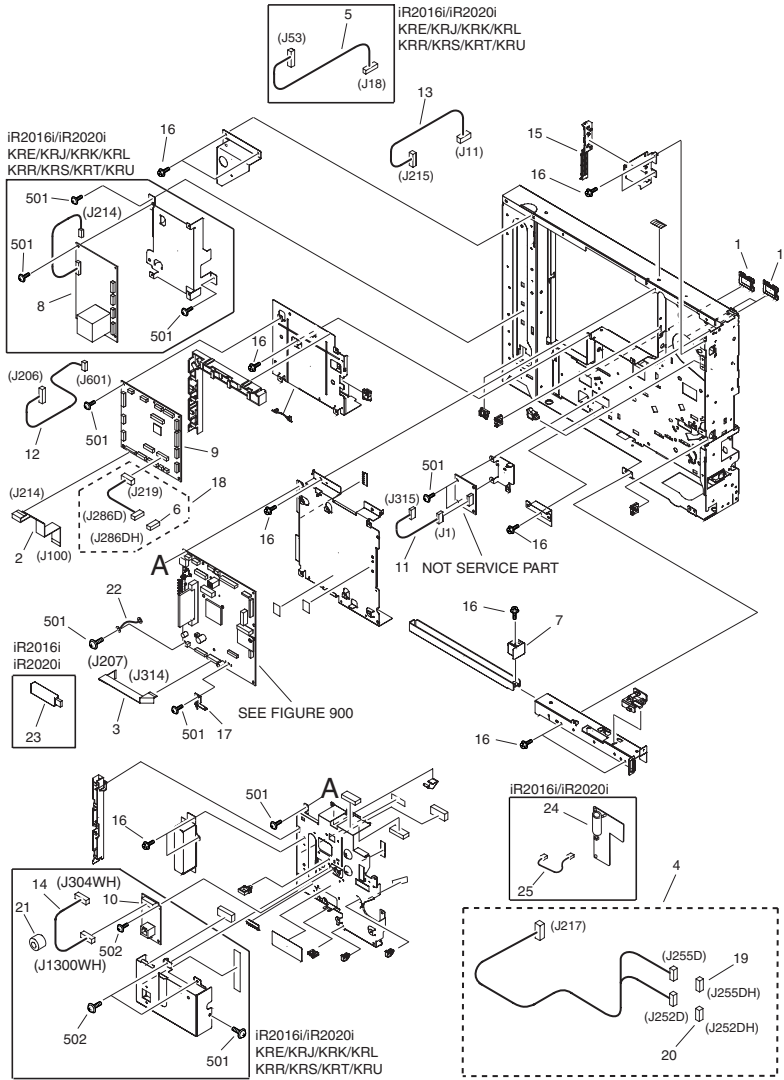
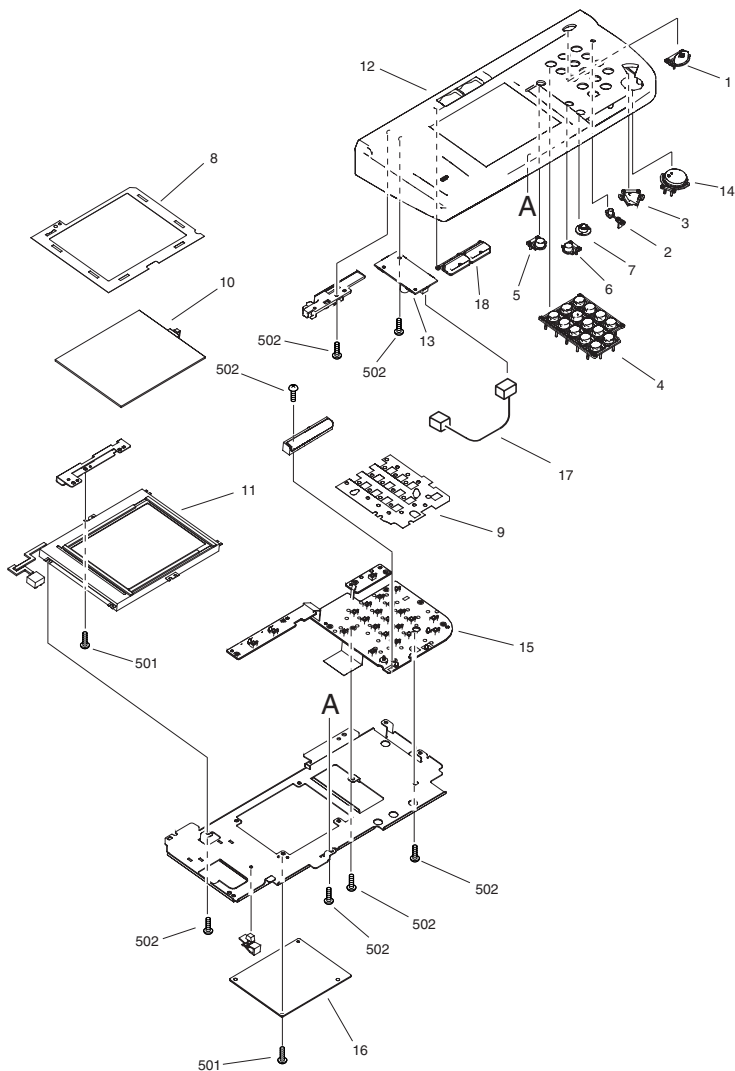


FIGURE & KEY NO.	PARTS NUMBER	RANK	Q'TY	DESCRIPTION	SERIAL NUMBER/REMARKS	SVC
Fig.104	NPN		RF	MACHINE REAR PLATE		
1	FB6-1722-000		3	BUSHING, SQUARE		
2	FK2-1058-000		1	CABLE, FLAT, HVT	J100,214	

FIGURE & KEY NO.	PARTS NUMBER	R A N K	Q'TY	DESCRIPTION	SERIAL NUMBER/ REMARKS	S V C
3	FK2-1059-000		1	CABLE, FLAT, DC	J207,314	
4	FM2-4410-000		1	CABLE, FIXING ASSEMBLY	J217,252D,255D	
5	FM2-4541-000		1	CABLE, OPTION POWER SUPPLY	iR2016/2016J/2020/2020J iR2016i/2020i EXCEPT AU/EUR J18,53	
6	VS1-7177-010		1	CONNECTOR, SNAP TIGHT, BK	J286DH	
7	FC6-4691-000		1	CAP, GRIP, REAR		
8	FK2-1085-000		1	SUB POWER SUPPLY ASS'Y	120V KRE/KRL/KRR/KRU J214	
8	FK2-1086-000		1	SUB POWER SUPPLY ASS'Y	230V KRJ/KRK/KRS/KRT SRK/SRD/SRJ/SRC J214	
9	FM2-4015-060		1	DC CONTROLLER PCB ASSEMBLY	iR2016 EXCEPT TW/US	
9	FM2-4014-060		1	DC CONTROLLER PCB ASSEMBLY	iR2016 TW/US	
9	FM2-4024-060		1	DC CONTROLLER PCB ASSEMBLY	iR2016J EXCEPT US	
9	FM2-4023-060		1	DC CONTROLLER PCB ASSEMBLY	iR2016J US	
9	FM2-4017-060		1	DC CONTROLLER PCB ASSEMBLY	iR2020 EXCEPT TW/US	
9	FM2-4016-060		1	DC CONTROLLER PCB ASSEMBLY	iR2020 TW/US	
9	FM2-4026-060		1	DC CONTROLLER PCB ASSEMBLY	iR2020J	
9	FM2-4026-000		1	DC CONTROLLER PCB ASSEMBLY	iR2020S	
10	FM2-4058-000		1	LAN PCB ASSEMBLY	iR2016/2016J/2020/2020J EXCEPT AU/EUR	
11	FM2-4425-000		1	CABLE, SOFT ID	J1,315	
12	FM2-4414-000		1	CABLE, LASER	J206,601	
13	FM2-4404-000		1	CABLE, DC CONTROLLER	J11,215	
14	FM2-4542-000		1	CABLE, IP-LAN	iR2016/2016J/2020/2020J EXCEPT AU/EUR J304WH,1300WH	
15	FL2-3229-000		1	CORE UNIT		
16	XA9-1567-000		AR	SCREW, RS, M3X8.5		
17	FC7-1749-000		1	PLATE, LEAF		
18	FM2-4416-000		1	CABLE, LEFT DOOR	J219,286D,286DH	
19	VS1-7207-006		1	CONNECTOR, SNAP TIGHT	J255DH	
20	VS1-7207-007		1	CONNECTOR, SNAP TIGHT	J252DH	
21	WE8-6346-000		1	CORE,RING	iR2016/2016J/2020/2020J EXCEPT AU/EUR	
23	FK2-1101-000		1	MEMORY, USB FLASH, 128M	iR2016i/2020i	

FIGURE & KEY NO.	PARTS NUMBER	RANK	Q'TY	DESCRIPTION	SERIAL NUMBER/REMARKS	SVC
24	FM2-4780-000		1	CAPACITOR PCB ASSEMBLY	iR2016i/2020i	
25	FM2-4538-000		1	CABLE, IP-CAP	iR2016i/2020i	
501	XB6-7300-805		AR	SCREW, BH3X8 S		
502	XB6-7300-807		AR	SCREW, TAP TIGHT, BINDING HEAD		
	FL2-3184-000		1	COVER, IP		

# FIGURE 130 CONTROL PANEL ASSEMBLY

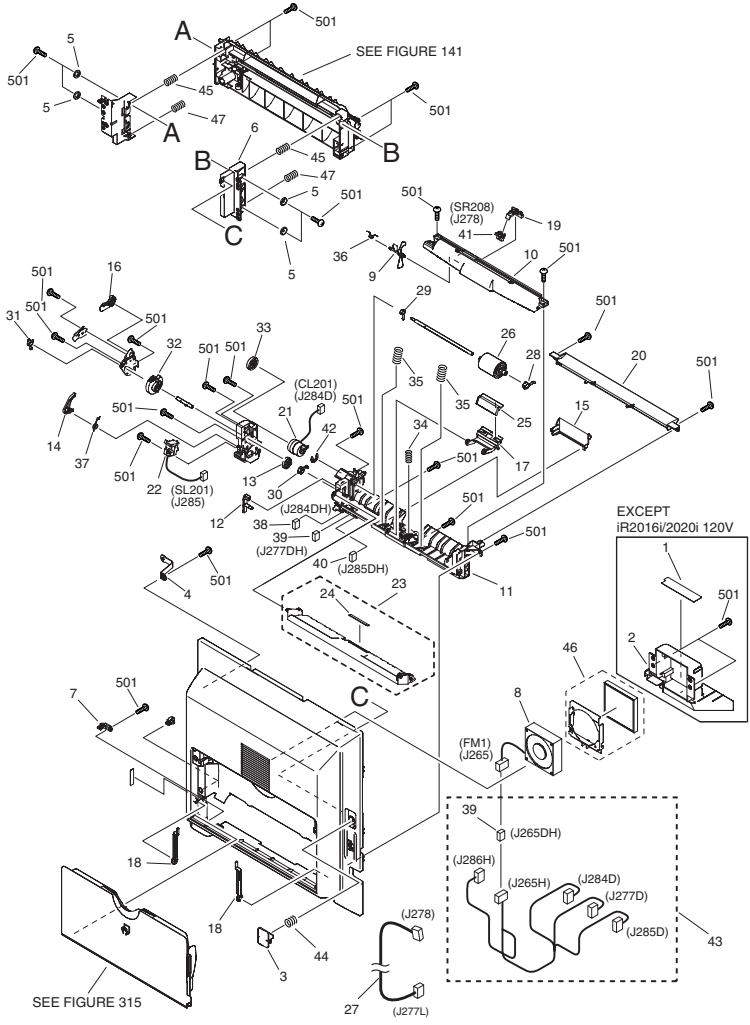


NOTE : This unit is used for iR2016/iR2020i.  
 注 : このユニットはiR2016i/iR2020iに使用します。

FIGURE & KEY NO.	PARTS NUMBER	RANK	Q'TY	DESCRIPTION	SERIAL NUMBER/REMARKS	SVC
Fig.130	FM2-4008-000		1	CONTROL PANEL ASSEMBLY	SRH/SRK/SRL/SRB/SRD/SRE	

FIGURE & KEY NO.	PARTS NUMBER	R A N K	Q'TY	DESCRIPTION	SERIAL NUMBER/ REMARKS	S V C
Fig.130	FM2-4012-000	N	1	CONTROL PANEL ASSEMBLY	SRJ/SRC/SRG/SRN/SXY	
Fig.130	FM2-4009-000		1	CONTROL PANEL ASSEMBLY	SRM/SRF	
1	FC6-5425-000		1	KEY TOP, POWER SUPPLY		
2	FC6-5426-000		1	KEY TOP, COUNTER		
3	FC6-5427-000		1	KEY TOP, STOP		
4	FC6-5428-000		1	KEY TOP, NUMBERS		
5	FC6-5429-000		1	KEY TOP, RESET		
6	FC6-5430-000		1	KEY TOP, USER MODE		
7	FC6-5431-000		1	DIAL, CONTRAST		
8	FC6-5433-000		1	SHEET, LCD		
9	FC7-1020-000		1	SHEET, ELECTROSTATIC		
10	FH6-0735-000		1	PANEL, TOUCH		
11	FL2-3463-000		1	LCD CONTROL PANEL UNIT		
12	FL2-4785-000		1	CONTROL PANEL UNIT	SRH/SRK/SRL/SRB/SRD/ SRE	
12	FL2-4786-000		1	CONTROL PANEL UNIT	SRJ/SRC/SRG/SRN/SXY	
12	FL2-4788-000		1	CONTROL PANEL UNIT	SRM/SRF	
13	FM2-2753-000		1	C.PANEL INVERTER PCB ASSEMBLY		
14	FM2-4013-000		1	KEY TOP, START		
15	FM2-4399-000		1	SWITCH PCB ASSEMBLY		
16	FM2-4784-000		1	CONTROL PANEL CPU PCB ASSEMBLY		
17	FM2-5952-000		1	CABLE, CPU-INVERTER	J955,1705	
18	FM2-6355-000		1	KEY TOP, SYSTEM	SRH/SRK/SRL/SRB/SRD/ SRE	
18	FM2-6356-000		1	KEY TOP, SYSTEM	SRJ/SRC/SRG/SRN/SXY	
18	FM2-6353-000		1	KEY TOP, SYSTEM	SRM/SRF	
501	XB1-2300-407		5	SCREW, BH3X4 (S)		
502	XB4-5300-807		19	SCREW, P, M3X8		

# FIGURE 140 LEFT DOOR ASSEMBLY



NOTE 1 : This assembly includes the assemblies shown in Figure 141 and 315.  
 注 1 : このユニットはFigure 141, 315のユニットを含みます。  
 NOTE 2 : This assembly includes the assemblies shown in Figure S20 and 50.  
 注 2 : このユニットはFigure S20, 50のユニットを含みます。

FIGURE & KEY NO.	PARTS NUMBER	RANK	Q'TY	DESCRIPTION	SERIAL NUMBER/REMARKS	SVC
Fig.140	FM2-3330-000		1	LEFT DOOR ASSEMBLY	EXCEPT iR2016i/iR2020i US SEE NOTE1	

FIGURE & KEY NO.	PARTS NUMBER	R A N K	Q'TY	DESCRIPTION	SERIAL NUMBER/ REMARKS	S V C
Fig.140	FM2-3333-000		1	LEFT DOOR ASSEMBLY	IR2016//IR2020i US SEE NOTE1,2	
1	FU5-8607-000		1	LABEL, WARNING, ROLLER		
2	FC6-4376-000		1	HOLDER, FAN		
3	FC6-4386-000		1	BUTTON, PUSH		
4	FC6-4388-000		1	STOPPER, DOOR		
5	FC6-4413-000		4	SPACER, FRAME, FEED		
6	FC6-4414-000		1	MOUNT, FRAME, FEED		
7	FC6-7103-000		1	BLOCK, COVER		
8	FK2-1073-000		1	FAN	FM1 J265	
9	FC6-4209-020		1	FLAG, SENSOR		
10	FC6-4210-000		1	COVER, ROLLER		
11	FC6-4211-000		1	GUIDE, MULTI FEED		
12	FC6-4224-000		1	SUPPORT, CAM, LIFTING		
13	FC6-4226-020		1	CAM, LIFTING PLATE		
14	FC6-4227-020		1	ARM, MULTI FEED		
15	FC6-4232-000		1	COVER, HARNESS		
16	FC6-4233-000		1	STOPPER, SWING PLATE		
17	FC6-4234-000		1	ARM, PAD, SEPARATION		
18	FC6-4238-000		2	STOPPER, MULTI FEED		
19	FC6-4239-000		1	HOLDER, SENSOR		
20	FC6-4377-000		1	GUIDE, FEED		
21	FK2-1070-000		1	CLUTCH, ELECTROMAGNETIC	CL201 J284D	
22	FK2-1072-000		1	SOLENOID	SL201 J285	
23	FL2-3200-000		1	LIFTING PLATE ASSEMBLY		
24	FC5-0543-000		1	SHEET, SEPARATION		
25	FL2-3201-000		1	SEPARATION PAD ASSY		
26	FL2-3202-000		1	ROLLER, PICK-UP		
27	FM2-4421-000		1	HARNESS, SENSOR, PAPER	J277L,278	
28	FU5-1527-000		1	BUSHING, ROLLER, PICK-UP		
29	FU5-1528-000		1	BUSHING, SHAFT, PICK-UP		
30	FU5-1529-000		1	BUSHING, SHAFT, CAM (F)		

FIGURE & KEY NO.	PARTS NUMBER	RANK	Q'TY	DESCRIPTION	SERIAL NUMBER/REMARKS	SVC
31	FU5-1530-000		1	BUSHING, SHAFT, CAM (R)		
32	FU6-0813-020		1	GEAR, MULTI FEED		
33	FU6-0814-000		1	GEAR, 25T		
34	FU6-2180-000		1	SPRING, COMPRESSION		
35	FU6-2181-000		2	SPRING, COMPRESSION		
36	FU6-2182-000		1	SPRING, TORSION		
37	FU6-2183-020		1	SPRING, TORSION		
38	VS1-7177-002		1	CONNECTOR, SNAP TIGHT, BK	J284DH	
39	VS1-7177-003		2	CONNECTOR, SNAP TIGHT, BK	J265DH,277DH	
40	VS1-7177-004		1	CONNECTOR, SNAP TIGHT, BK	J285DH	
41	WG8-5696-000		1	PHOTO INTERRUPTER, TLP1243	SR208 J278	
42	XD9-0136-000		1	RING, E		
43	FM2-4417-000		1	CABLE, LEFT DOOR	J277D,284D,285D	
44	FU6-2160-000		1	SPRING, COMPRESSION		
45	FU6-2162-000		2	SPRING, COMPRESSION		
46	FM2-3331-000		1	FILTER UNIT		
47	FU6-2178-000		2	SPRING, COMPRESSION		
501	XB4-5401-005		27	SCREW, P, M4X10		



# FIGURE 141 TRANSFER MOUNT ASSEMBLY

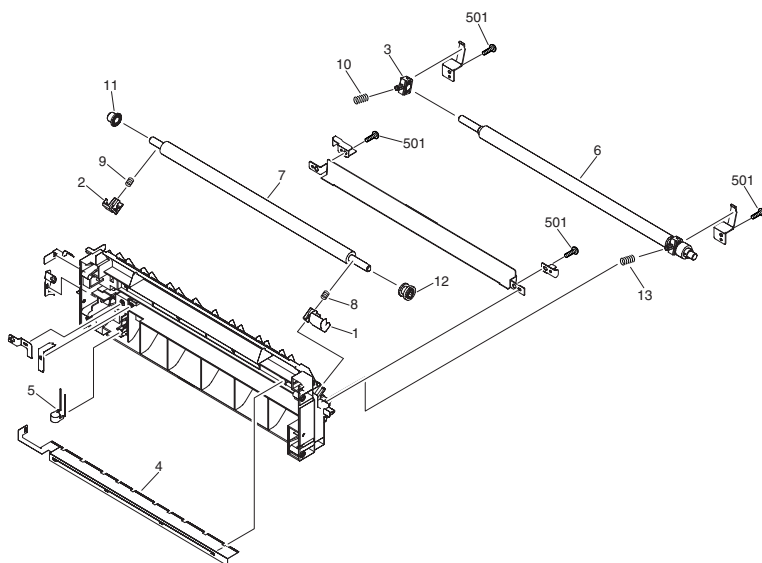
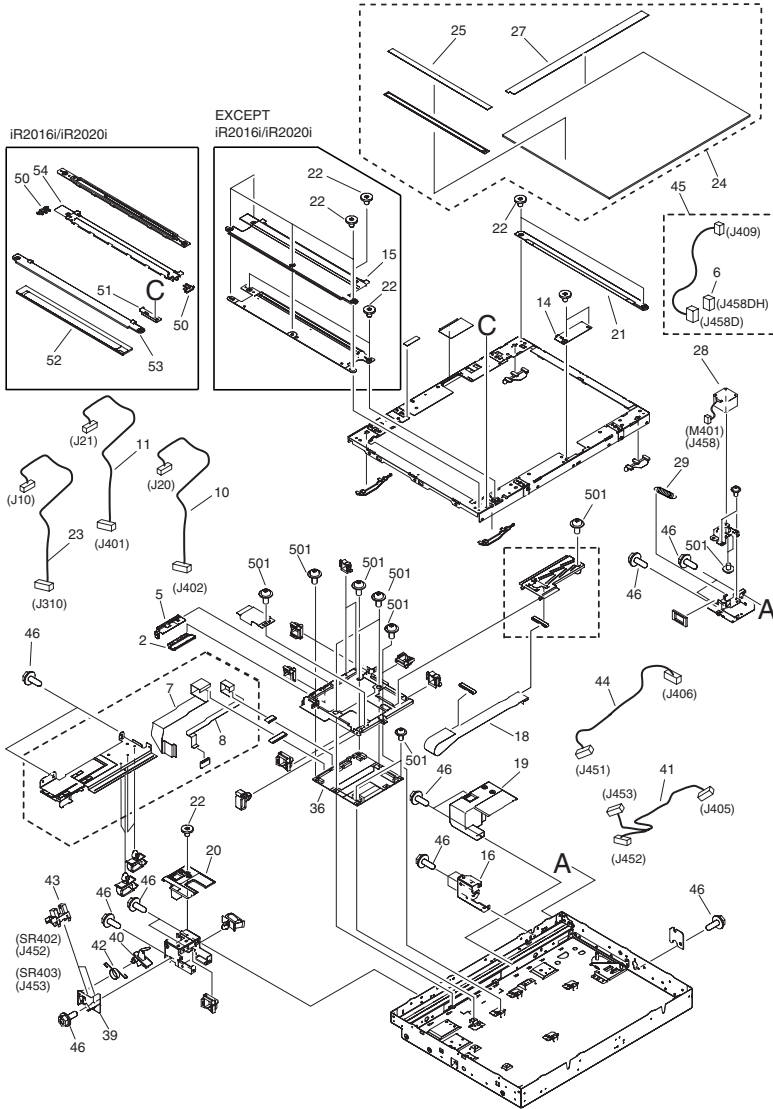


FIGURE & KEY NO.	PARTS NUMBER	R A N K	Q'TY	DESCRIPTION	SERIAL NUMBER/ REMARKS	S V C
Fig.141	FM2-3315-000		1	TRANSFER MOUNT ASSEMBLY	SEE NOTE	
1	FC6-4314-000		1	BUSHING, TRANSFER, FRONT		
2	FC6-4315-000		1	BUSHING, TRANSFER, LOWER		
3	FC6-4317-000		1	BUSHING, REGIST ROLLER		
4	FC6-4324-000		1	ELIMINATOR, STATIC CHARGE		
5	FH5-3543-000		1	VARISTOR		
6	FL2-3214-000		1	REGIST ROLLER ASSEMBLY		
7	FC6-4313-000		1	ROLLER, TRANSFER		
8	FU6-2171-000		1	SPRING, TRANSFER ROLLER, LEFT		
9	FU5-2476-000		1	SPRING, TRANSFER ROLLER, RIGHT		
10	FU6-2173-000		1	SPRING, COMPRESSION		
11	FC6-4316-000		1	ROLLER		
12	FU6-0773-000		1	GEAR, 30T		
13	FU6-2177-020		1	SPRING, COMPRESSION		
501	XB4-5401-005		4	SCREW, P, M4X10		

# FIGURE 210 READER ASSEMBLY



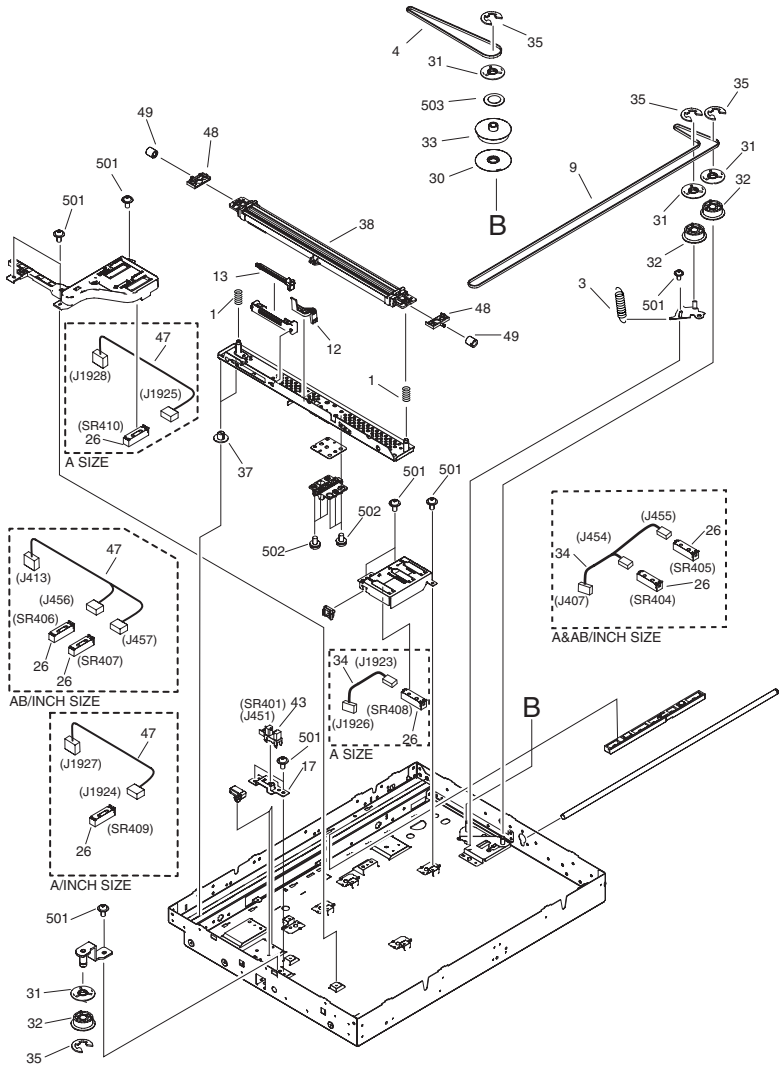


FIGURE & KEY NO.	PARTS NUMBER	R A N K	Q'TY	DESCRIPTION	SERIAL NUMBER/ REMARKS	S V C
Fig.210	NPN		RF	READER ASSEMBLY		
1	FU6-2236-000		2	SPRING, COMPRESSION		
2	FC6-4522-000		1	HOLDER, CORE		
3	FU6-2193-000		1	SPRING, TENSION		
4	XF2-4620-340		1	BELT, TIMING		
5	FC6-4582-000		1	CLAMP,FLEXIBLE		
6	VS1-7177-004		1	CONNECTOR, SNAP TIGHT, BK	J458DH	
7	FK2-1060-000		1	CABLE, FLAT, READER 1	J309,404	
8	FK2-1064-000		1	CABLE, FLAT, READER 2	J308,403	
9	XF2-4661-440		1	BELT, TIMING		
10	FM2-4418-000		1	CABLE, READER CONTROLLER 1	J20,402	
11	FM2-4419-000		1	CABLE, READER CONTROLLER 2	J21,401	
12	FC5-0792-000		1	RETAINER, BELT		
13	FC5-1444-000		1	HOLDER, FFC		
14	FC6-4528-000		1	LID, GRASS RETAINER		
15	FC6-4541-000		1	COVER, LEFT, UPPER	EXCEPT iR2016i/iR2020i	
16	FC6-4573-000		1	PLATE, HINGE, RIGHT		
17	FC6-4727-000		1	HOLDER, SENSOR		
18	FK2-1061-000		1	CABLE, FLAT, READER	J408,460	
19	FC6-4562-000		1	COVER, HINGE, RIGHT		
20	FC6-4558-000		1	COVER, HINGE, LEFT		
21	FL2-3230-000		1	RETAINER, GLASS (R)		
22	XA9-1415-000		12	SCREW, FLAT HEAD, M4		
23	FM2-4422-000		1	CABLE, READER CONTROLLER	J10,310	
24	FL2-3282-000		1	GLASS, COPYBOARD	iR2016/2020 iR2016J/ 2020J A INCH SIZE	
24	FL2-3237-000		1	GLASS, COPYBOARD	iR2016/2020 iR2016J/ 2020J A SIZE	
24	FL2-3280-000		1	GLASS, COPYBOARD	iR2016/2020 iR2016J/ 2020J AB INCH SIZE	
24	FL2-3206-000		1	GLASS, COPYBOARD	iR2016i/2020i AB INCH SIZE	
24	FL2-3207-000		1	GLASS, COPYBOARD	iR2016i/2020i A INCH SIZE	

FIGURE & KEY NO.	PARTS NUMBER	R A N K	Q'TY	DESCRIPTION	SERIAL NUMBER/ REMARKS	S V C
24	FL2-3208-000		1	GLASS, COPYBOARD	iR2016i/2020i A SIZE	
25	FU5-8592-000		1	PLATE, WIDTH INDEX	A INCH SIZE	
25	FU5-8581-000		1	PLATE, WIDTH INDEX	A SIZE	
25	FU5-8590-000		1	PLATE, WIDTH INDEX	AB INCH SIZE	
26	FH7-7569-000		3	DOCUMENT SIZE SENSOR UNIT	A INCH SIZE SR404,405,407,409	
26	FH7-7569-000		2	DOCUMENT SIZE SENSOR UNIT	A SIZE SR408,410	
26	FH7-7569-000		4	DOCUMENT SIZE SENSOR UNIT	AB INCH SIZE SR404,405,406,407	
27	FU5-8593-000		1	PLATE, LENGTH INDEX	iR2016i/2020 iR2016J/ 2020J A INCH SIZE	
27	FU5-8582-000		1	PLATE, LENGTH INDEX	iR2016i/2020 iR2016J/ 2020J A SIZE	
27	FU5-8591-000		1	PLATE, LENGTH INDEX	iR2016i/2020 iR2016J/ 2020J AB INCH SIZE	
27	FU5-8595-000		1	PLATE, LENGTH INDEX	iR2016i/2020i A INCH SIZE	
27	FU5-8596-000		1	PLATE, LENGTH INDEX	iR2016i/2020i A SIZE	
27	FU5-8594-000		1	PLATE, LENGTH INDEX	iR2016i/2020i AB INCH SIZE	
28	FK2-1066-020		1	MOTOR, STEPPING	M401 J458	
29	FU6-2190-000		1	SPRING, TENSION		
30	FC6-4506-000		1	FLANGE		
31	FC6-4514-000		4	FLANGE		
32	FU5-3339-000		3	PULLEY		
33	FU5-3340-000		1	PULLEY		
34	FM2-4427-000		1	CABLE, DOCUMENT SIZE SENSOR	A INCH SIZE/AB INCH SIZE J407,454,455	
34	FM2-4535-000		1	CABLE, DOCUMENT SIZE SENSOR	A SIZE J1923,1926	
35	XD9-0136-000		4	RING, E		
36	FM2-4791-000		1	READER CONTROLLER PCB ASSEMBLY	iR2016i/2020 iR2016J/ 2020J	
36	FM2-4792-000		1	READER CONTROLLER PCB ASSEMBLY	iR2016i/2020i	
37	FC6-4511-000		2	SLIDER		
38	FL2-3286-000		1	CONTACT IMAGE SENSOR		
39	FC6-4559-000		1	HOLDER, SENSOR		

FIGURE & KEY NO.	PARTS NUMBER	RANK	Q'TY	DESCRIPTION	SERIAL NUMBER/REMARKS	SVC
40	FC6-4561-000		1	LEVER, SENSOR		
41	FM2-4400-000		1	CABLE, SENSOR	J405,452,453	
42	FU6-2191-000		1	SPRING, SENSOR		
43	WG8-5696-000		3	PHOTO INTERRUPTER, TLP1243	SR401,402,403 J451,452,453	
44	FM2-4412-000		1	CABLE, HP SENSOR	J406,451	
45	FM2-4423-020		1	CABLE, READER MOTOR	J409,458D	
46	XA9-1567-000		38	SCREW, RS, M3X8.5		
47	FM2-4536-000		1	CABLE, DOCUMENT SIZE SENSOR	A INCH SIZE J1924,1927	
47	FM2-4537-000		1	CABLE, DOCUMENT SIZE SENSOR	A SIZE J1925,1928	
47	FM2-4428-000		1	CABLE, DOCUMENT SIZE SENSOR	AB INCH SIZE J413,456,457	
48	FB6-1336-000		2	GUIDE, CIS		
49	FB6-1337-000		2	COLLAR		
50	FC5-1427-000		1	COVER, EDGE	iR2016i/2020i	
51	FC6-4525-000		1	RETAINER, GLASS	iR2016i/2020i	
52	FL2-3188-000		1	GLASS, READER	iR2016i/2020i	
53	FL2-3231-000		1	RETAINER, GLASS, LEFT	iR2016i/2020i	
54	FL2-3233-000		1	GUIDE, PAPER	iR2016i/2020i	
501	XB6-7300-407		4	SCREW, TP, M3X4		
502	XB2-8400-805		6	SCREW, WWASHER, M4X8		
503	XD1-1106-231		1	WASHER,COP		

# FIGURE 250 MAIN DRIVE ASSEMBLY

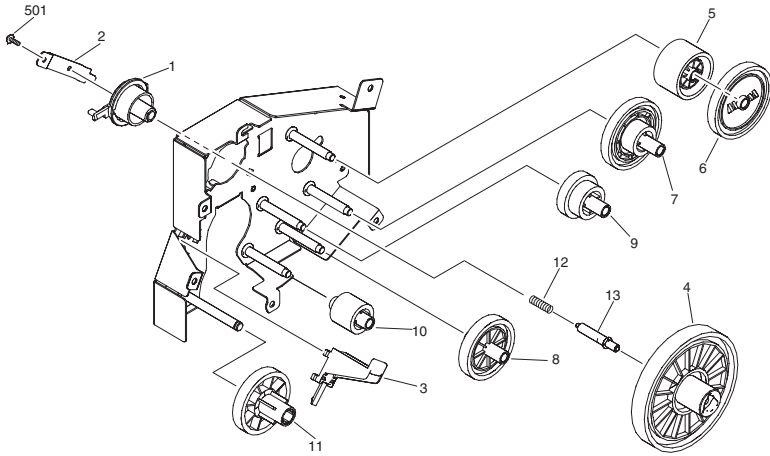




FIGURE & KEY NO.	PARTS NUMBER	RANK	Q'TY	DESCRIPTION	SERIAL NUMBER/REMARKS	SVC
Fig.250	FM2-3344-000		1	MAIN DRIVE ASSEMBLY		
1	FC6-4436-000		1	BUSHING		
2	FC6-4437-000		1	PLATE, EARTH		
3	FC6-4497-000		1	STOPPER, GEAR		
4	FU6-0788-000		1	GEAR, 161T		
5	FU6-0766-000		1	GEAR, 13T		
6	FU6-0767-000		1	GEAR, 9T		
7	FU6-0790-000		1	GEAR, 25T/91T		
8	FU6-0791-000		1	GEAR, 53T		
9	FU6-0792-000		1	GEAR, 37T/28T		
10	FU6-0793-000		1	GEAR, 25T		
11	FU6-0795-000		1	GEAR, 55T		
12	FU6-2184-000		1	SPRING, EARTH		
13	RB2-1850-000		1	PIN		
501	XB2-7300-607		1	SCREW,W/WASHER,M3X6		

FIGURE 280  
FIXING DRIVE ASSEMBLY

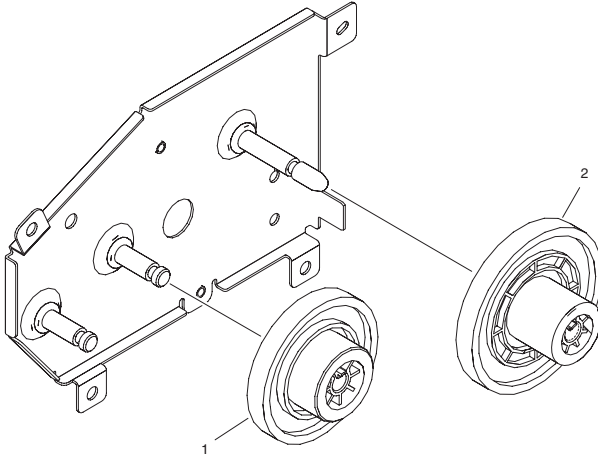


FIGURE & KEY NO.	PARTS NUMBER	RANK	Q'TY	DESCRIPTION	SERIAL NUMBER/REMARKS	SVC
Fig.280	FM2-3350-000		1	FIXING DRIVE ASSEMBLY		
1	FU6-0802-000		1	GEAR, 80T/17T		
2	FU6-0804-000		1	GEAR, 91T/19T		

# FIGURE 300 CASSETTE

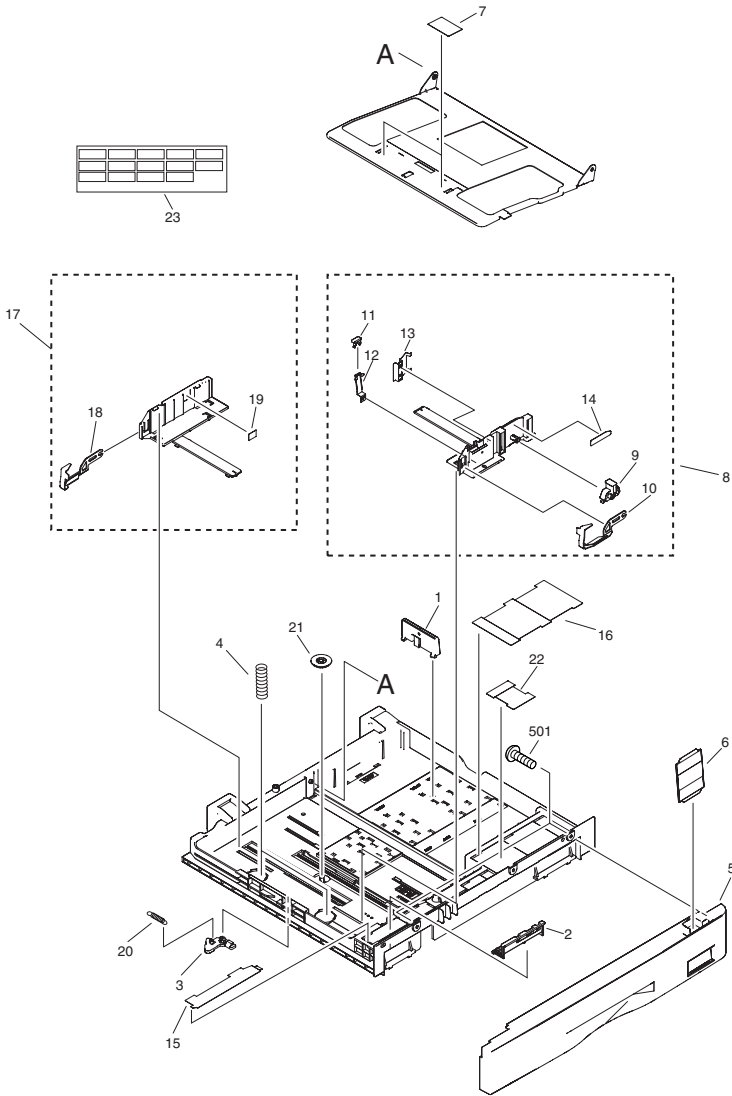


FIGURE & KEY NO.	PARTS NUMBER	R A N K	Q'TY	DESCRIPTION	SERIAL NUMBER/ REMARKS	S V C
Fig.300	NPN		RF	CASSETTE		
1	FB4-5814-000		1	PLATE, SIZE, REAR		
2	FB6-1640-000		1	LEVER, PAPER SIZE		
3	FB6-1644-000		1	LOCK, PAPER LIFTING PLATE		
4	FB6-2000-000		2	SPRING, COMPRESSION		
5	FC6-4337-000		1	COVER, CASSETTE		
6	FC6-4361-000		1	PLATE, SIZE INDICATOR		
7	FB6-1650-000		2	SHEET, SEPARATION		
8	FM2-3325-000		1	PAPER SIDE GUIDE (F) UNIT		
9	FB4-5809-020		1	LEVER, LOCK		
10	FB4-5813-020		1	PLATE, HOLD-DOWN TAB		
11	FB4-5810-000		1	PLATE, PAPER CONTACT		
12	FB6-1646-000		1	SPRING, LEAF		
13	FB6-1649-000		1	SPRING, LEAF		
14	FU5-8588-000		1	LABEL, SIDE LOCK		
15	FU5-8584-000		1	SHEET, PAPER SIZE SETTING		
16	FU5-8587-000		1	SHEET, PAPER SUPPLY		
17	FM2-3326-000		1	PAPER SIDE GUIDE (R) UNIT		
18	FB4-5808-020		1	PLATE, HOLD-DOWN TAB		
19	FB4-5824-000		1	LABEL, LIMIT		
20	FS6-2917-000		1	SPRING, TENSION		
21	FS7-0207-000		1	GEAR, 20T		
22	FU5-8601-000		1	SHEET, WARNING	KRE/KRJ/KRC/KRB/KQW/ KQY/KQX	
22	FU5-8609-000		1	SHEET, WARNING	KRL/KRK/KQZ	
22	FU5-8601-000		2	SHEET, WARNING	KRR/KRS/KRQ/KRP/KRM	
22	FU5-8609-000		2	SHEET, WARNING	KRU/KRT/KRN	
23	FU5-8600-000		1	LABEL, PAPER SIZE		
501	XB4-7401-009		2	SCREW, TAPPING, PAN HEAD		
	FM2-3313-000		1	CASSETTE UNIT		

# FIGURE 310 CASSETTE FEEDER ASSEMBLY

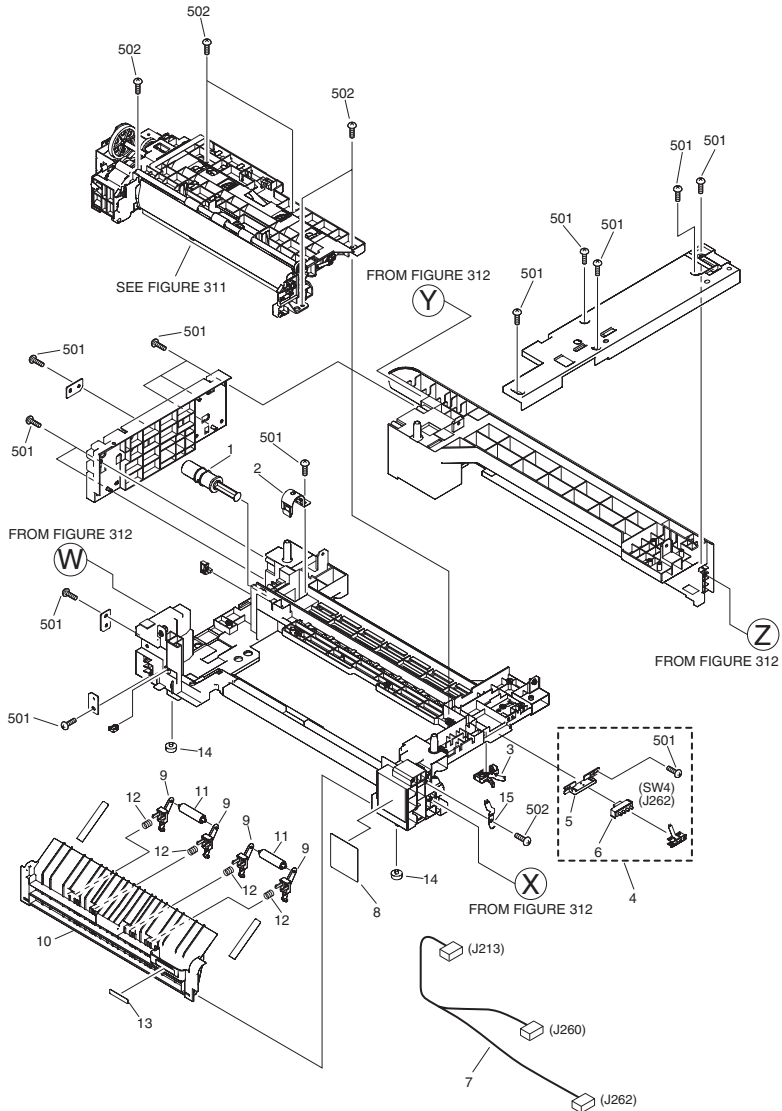


FIGURE & KEY NO.	PARTS NUMBER	RANK	QTY	DESCRIPTION	SERIAL NUMBER/REMARKS	SVC
Fig.310	NPN		RF	CASSETTE FEEDER ASSEMBLY		
1	FB4-5532-000		1	DAMPER		

FIGURE & KEY NO.	PARTS NUMBER	R A N K	Q'TY	DESCRIPTION	SERIAL NUMBER/ REMARKS	S V C
2	FB6-1608-000		1	HOLDER, DAMPER		
3	FC6-4357-000		1	BLOCK, POSITION		
4	FM2-3319-000		1	SIZE DETECTION ASS'Y		
5	FB6-1910-000		1	MOUNT, SIZE SENSOR		
6	WC2-5332-000		1	SWITCH, PAPER SIZE	SW4,J262	
7	FM2-4403-000		1	CABLE, CASSETTE	J213,260,262	
8	FU5-8585-000		1	LABEL, JAM CLEARING		
9	FC6-4297-000		4	BUSHING, ROLLER, VERTICAL		
10	FC6-4298-000		1	COVER, CASSETTE, LEFT		
11	FC6-4300-000		2	ROLLER, VERTICAL PASS		
12	FU6-2170-000		4	SPRING, COMPRESSION		
13	FU5-8586-000		1	LABEL, COVER		
14	XH9-0135-000		2	FOOT, RUBBER		
501	XB4-5401-005		15	SCREW, P, M4X10		
502	XB4-5401-007		5	SCREW, M4X10		
	FC6-6712-000		1	PLATE, EARTH		

# FIGURE 311 PAPER PICK-UP ASSEMBLY

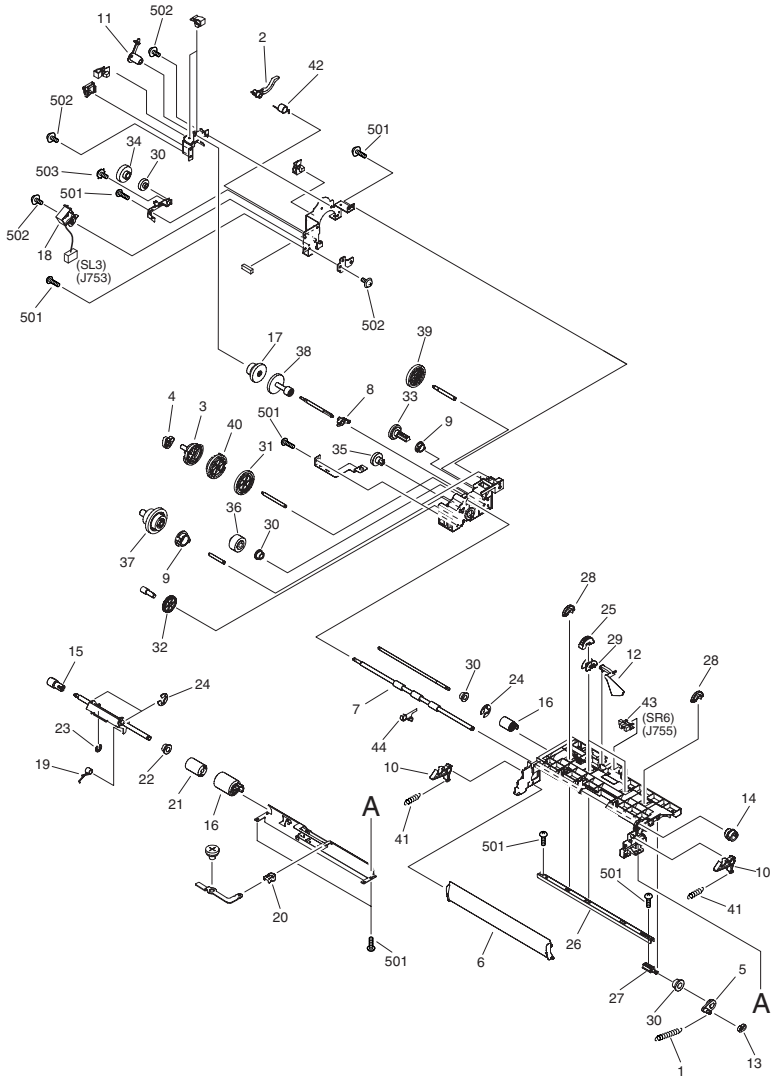


FIGURE & KEY NO.	PARTS NUMBER	RANK	Q'TY	DESCRIPTION	SERIAL NUMBER/REMARKS	SVC
Fig.311	FM2-3320-040		1	PAPER PICK-UP ASSEMBLY		
1	FB6-1550-000		1	SPRING, TENSION		
2	FB6-1626-000		1	LEVER, COUPLING		



FIGURE & KEY NO.	PARTS NUMBER	R A N K	Q'TY	DESCRIPTION	SERIAL NUMBER/ REMARKS	S V C
3	FB6-1633-000		1	GEAR, 27T/50T		
4	FB6-1660-000		1	CAM		
5	FB6-1909-000		1	BUSHING		
6	FC6-4285-000		1	GUIDE, TURN		
7	FC6-4286-000		1	ROLLER, VERTICAL PASS		
8	FC6-4291-000		1	BUSHING, CLUTCH		
9	FC6-4304-000		2	BUSHING, ROLLER, PICK-UP		
10	FC6-4326-000		2	LOCK, VERTICAL PASS		
11	FC6-4348-000		1	BUSHING, CLUTCH, REAR		
12	FC6-4350-000		1	ARM, DETECTION, PAPER		
13	FC6-4352-000		1	COLLAR, SPRING		
14	FC6-4355-000		1	BUSHING		
15	FC6-4358-000		1	JOINT, RETARD		
16	FF6-1621-000		2	ROLLER, SEPARATION		
17	FK2-1068-000		1	CLUTCH, ELECTROMAGNETIC		
18	FK2-1082-000		1	SOLENOID		
19	FB6-1902-000		1	SPRING, TORSION		
20	FB6-1908-000		1	CAP		
21	FC6-4290-000		1	LIMITER, TORQUE		
22	FL2-3212-000		1	SHAFT, ROLLER		
23	XD9-0133-000		1	RING, E		
24	XD9-0136-000		3	RING, E		
25	FB4-9817-030		2	ROLLER, PICK-UP		
26	FC6-4284-000		1	SHAFT, ROLLER, PICK-UP		
27	FC6-4351-000		1	SHAFT, ROLLER		
28	FC6-4356-000		2	ROLLER, LOOP		
29	FE5-4048-000		2	BLOCK, PICK-UP ROLLER ADPTER		
30	FS1-1205-000		4	BUSHING		
31	FS7-0225-000		1	GEAR, 53T		
32	FS7-0226-000		1	GEAR, 36T		
33	FS7-0228-000		1	GEAR, 31T		
34	FS7-0229-000		1	GEAR, 18T		

FIGURE & KEY NO.	PARTS NUMBER	R A N K	Q'TY	DESCRIPTION	SERIAL NUMBER/ REMARKS	S V C
35	FS7-0230-000		1	GEAR, 27T		
36	FU6-0769-000		1	GEAR, 17T		
37	FU6-0770-000		1	GEAR, 21T/37T/22T		
38	FU6-0771-000		1	GEAR, 16T/34T		
39	FU6-0775-000		1	GEAR, 39T		
40	FU6-0776-000		1	GEAR, 29T		
41	FU6-2174-000		2	SPRING, TENSION		
42	FU6-2175-000		1	SPRING, TORSION		
43	WG8-5696-000		1	PHOTO INTERRUPTER, TLP1243	SR6 J755	
44	FC7-1770-000		1	BUSHING		
501	XB4-7401-009		8	SCREW, TAPPING, PAN HEAD, M4X10		
502	XB6-7300-609	N	4	SCREW, MACH, PAN HEAD, M3X8		
503	XB2-7300-607		1	SCREW, CROSS-RECESS, FCH		

# FIGURE 312 CASSETTE FEEDER ASSEMBLY

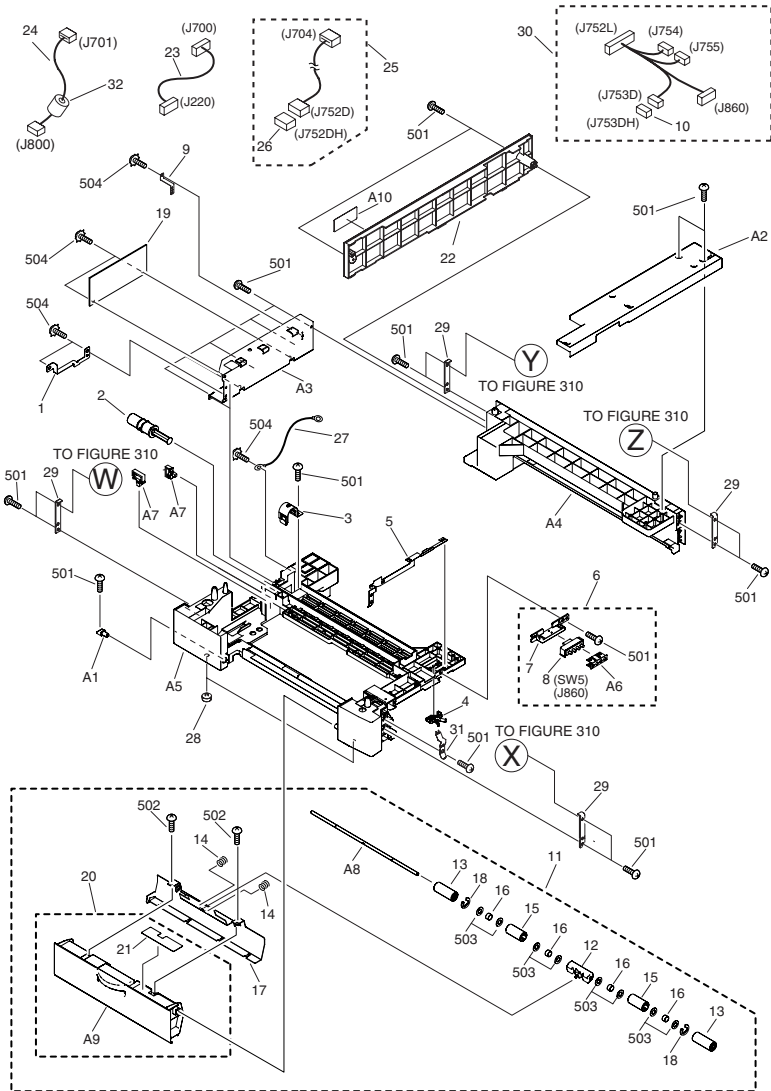


FIGURE & KEY NO.	PARTS NUMBER	RANK	Q'TY	DESCRIPTION	SERIAL NUMBER/REMARKS	SVC
Fig.312	NPN		RF	CASSETTE FEEDER ASSEMBLY		
1	FC6-6720-000		1	PLATE, GROUNDING		
2	FB4-5532-000		1	DAMPER		

FIGURE & KEY NO.	PARTS NUMBER	R A N K	Q'TY	DESCRIPTION	SERIAL NUMBER/ REMARKS	S V C
3	FB6-1608-000		1	HOLDER, DAMPER		
4	FC6-4357-000		1	BLOCK, POSITION		
5	FC6-6706-000		1	PLATE, EARTH		
6	FG6-8440-000		1	SIZE SENSOR UNIT		
7	FB6-1910-000		1	MOUNT, SIZE SENSOR		
8	WC2-5332-000		1	SWITCH, PAPER SIZE	SW5,J860	
9	FB6-1913-000		1	PLATE, GROUNDING		
10	VS1-7177-002		1	CONNECTOR, SNAP TIGHT, BK	J753D	
11	FM2-4483-000		1	VERTICAL PATH UNIT		
12	FB4-5671-000		1	MOUNT, ROLLER		
13	FB6-1536-000		2	ROLLER		
14	FB6-1920-000		2	SPRING, COMPRESSION		
15	FB6-1996-000		2	ROLLER, VERTICAL PATH		
16	FB6-1997-000		4	SPRING, COMPRESSION		
17	FC6-6714-000		1	GUIDE, VERTICAL PATH		
18	XD9-0136-000		2	RING, E		
19	FM2-4495-000		1	FEEDER CONTROLLER PCB ASS'Y		
20	FL2-3736-000		1	COVER, VERTICAL PATH		
21	FU5-8680-000		1	LABEL,JAM		
22	FC6-6710-000		1	COVER, CASSETTE, REAR		
23	FM2-4497-000		1	CABLE, INTERFACE, 1	J220,700	
24	FM2-4498-000		2	CABLE, INTERFACE, 2	J701,800	
25	FM2-4499-000		1	CABLE, FEEDER	J704,752D	
26	VS1-7177-013		1	CONNECTOR, SNAP TIGHT	J752DH	
27	FM2-4500-000		2	CABLE, EARTH		
28	XH9-0135-000		2	FOOT, RUBBER		
29	FC6-6707-000		4	PLATE, JOINT		
501	XB4-5401-007		22	SCREW, M4X10		
502	XB1-2400-607		2	SCREW, CROSS-RECESS, FCH		
503	XD1-1106-235		8	WASHER,COP		
504	XB2-7300-607		7	SCREW, WWASHER, M3X6		
	FM2-4496-000		1	CABLE, FEEDER		

FIGURE & KEY NO.	PARTS NUMBER	R A N K	Q'TY	DESCRIPTION	SERIAL NUMBER/ REMARKS	S V C
	FC6-6712-000		1	PLATE, EARTH		
	WE8-5648-000		1	CORE, SLEEVE FERRITE		

# FIGURE 313 PAPER PICK-UP ASSEMBLY

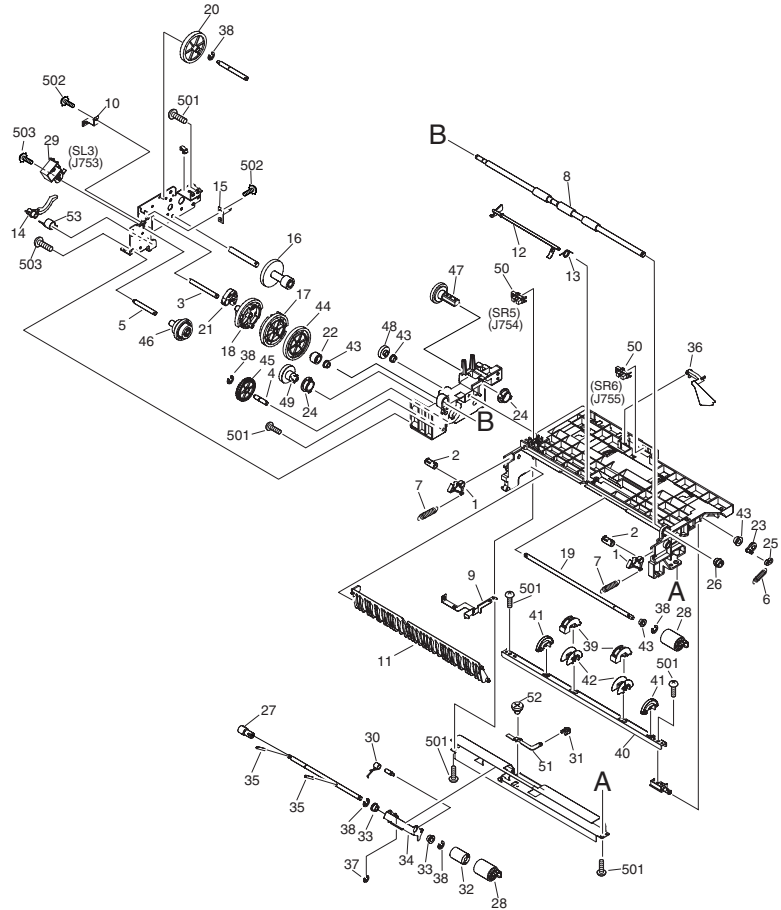


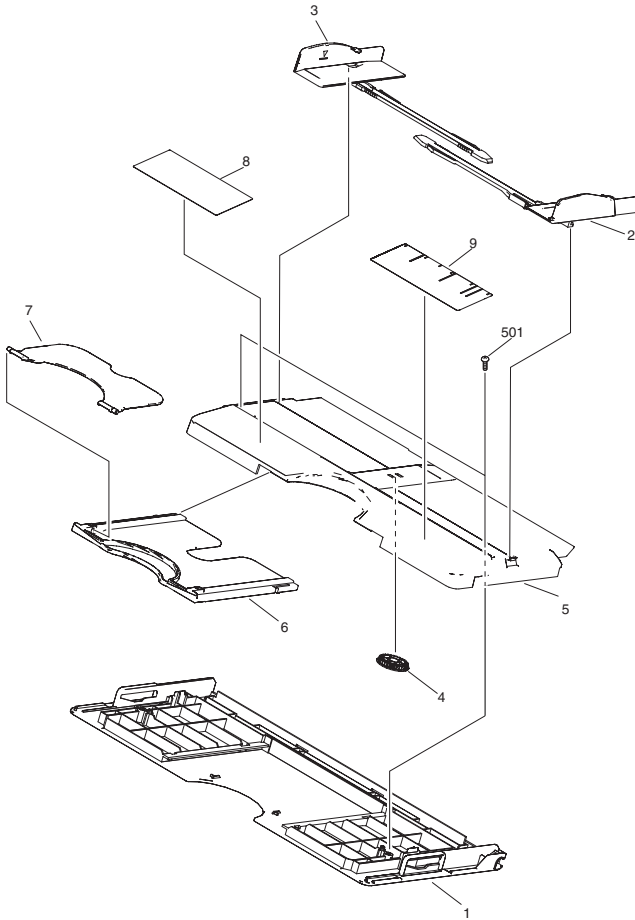
FIGURE & KEY NO.	PARTS NUMBER	RANK	Q'TY	DESCRIPTION	SERIAL NUMBER/REMARKS	SVC
Fig.313	FM2-4484-000		1	PAPER PICK-UP ASSEMBLY		
1	FB4-5672-000		2	PAWL, LOCK		
2	FB4-5673-000		2	SHAFT, LOCK		
3	FB4-6032-000		1	SHAFT, CLUCH		
4	FB4-6033-000		1	SHAFT, IDLER		
5	FB4-6034-000		1	SHAFT		
6	FB6-1550-000		1	SPRING, TENSION		

FIGURE & KEY NO.	PARTS NUMBER	RANK	Q'TY	DESCRIPTION	SERIAL NUMBER/REMARKS	SVC
7	FB6-1551-000		2	SPRING, TENSION		
8	FB6-1613-000		1	ROLLER, VERTICAL PATH		
9	FB6-1614-000		1	PLATE, GROUNDING		
10	FB6-1615-000		1	PLATE, GROUNDING		
11	FB6-1616-000		1	GUIDE, VERTICAL PATH		
12	FB6-1623-000		1	ARM, FEED SENSOR		
13	FB6-1624-000		1	SPRING, TORSION		
14	FB6-1626-000		1	LEVER, COUPLING		
15	FB6-1628-000		1	PLATE, GROUNDING		
16	FB6-1632-000		1	GEAR, 16T/34T		
17	FB6-1633-000		1	GEAR, 27T/50T		
18	FB6-1634-000		1	GEAR, 29T		
19	FB6-1635-000		1	SHAFT		
20	FB6-1636-000		1	GEAR, 39T		
21	FB6-1660-000		1	CAM		
22	FB6-1905-000		1	GEAR, 14T		
23	FB6-1909-000		1	BUSHING		
24	FC6-4304-000		2	BUSHING, ROLLER, PICK-UP		
25	FC6-4352-000		1	COLLAR, SPRING		
26	FC6-4355-000		1	BUSHING		
27	FC6-4358-000		1	JOINT, RETARD		
28	FF6-1621-000		2	ROLLER, SEPARATION		
29	FK2-1104-000		1	SOLENOID	SL3 J753	
30	FB6-1902-000		1	SPRING, TORSION		
31	FB6-1908-000		1	CAP		
32	FC6-4290-000		1	LIMITER, TORQUE		
33	FB6-1541-000		2	BUSHING		
34	FF6-1610-000		1	HOLDER, SEPARATION ROLLER		
35	XD3-1200-122		2	SPRING PIN		
36	FC6-4350-000		1	ARM, DETECTION, PAPER		
37	XD9-0133-000		1	RING, E		
38	XD9-0136-000		5	RING, E		

FIGURE & KEY NO.	PARTS NUMBER	R A N K	Q'TY	DESCRIPTION	SERIAL NUMBER/ REMARKS	S V C
39	FB4-9817-030		2	ROLLER, PICK-UP		
40	FB6-1631-030		1	SHAFT, PICK-UP ROLLER		
41	FC6-4356-000		2	ROLLER, LOOP		
42	FE5-4048-000		2	BLOCK, PICK-UP ROLLER ADPTER		
43	FS1-1205-000		4	BUSHING		
44	FS7-0225-000		1	GEAR, 53T		
45	FS7-0226-000		1	GEAR, 36T		
46	FS7-0227-000		1	GEAR, 21T/33T/22T		
47	FS7-0228-000		1	GEAR, 31T		
48	FS7-0229-000		1	GEAR, 18T		
49	FS7-0230-000		1	GEAR, 27T		
50	WG8-5624-000		2	IC, PHOTO INTERRUPTER	SR5,6 J754,755	
51	FC6-4288-000		1	LEVER, PRESSURE		
52	FS5-9714-000		1	SCREW, STEPPED, M3		
53	FU6-2175-000		1	SPRING, TORSION		
501	XB4-7401-009		10	SCREW, TAPPING, PAN HEAD, M4X10		
502	XB2-7300-607		2	SCREW, WWASHER, M3X6		
503	XB6-7300-609		1	SCREW, MACH, PAN HEAD, M3X8		



# FIGURE 315 MULTI FEED TRAY ASS'Y



NOTE1: This assembly is included in the assembly shown in Figure 140.  
NOTE2: This assembly does not include the part shown with key No.9.  
注1: このユニットはFigure140のユニットに含まれます。  
注2: このユニットにKey No.9の部品は含まれません。

FIGURE & KEY NO.	PARTS NUMBER	R A N K	Q'TY	DESCRIPTION	SERIAL NUMBER/ REMARKS	S V C
Fig.315	FM2-3294-000		1	MULTI FEED TRAY ASSY	SEE NOTE1	
1	FC6-4215-000		1	COVER, MULTI FEED		
2	FC6-4218-000		1	PLATE, LIMIT, FRONT		
3	FC6-4219-000		1	PLATE, LIMIT, REAR		
4	FC6-4220-000		1	GEAR, PINION		
5	FC6-4221-000		1	TRAY, MULTI FEED		
6	FC6-4222-000		1	TRAY, MULTI FEED, SUB (L)		
7	FC6-4223-000		1	TRAY, MULTI FEED, SUB (S)		
8	FU5-8605-000		1	LABEL, SET		
9	FU5-8589-000		1	LABEL, SIZE INSTRUCTION	KRE/KRC/KQW/KRR SEE NOTE2	
9	FU5-8604-000		1	LABEL, SIZE INSTRUCTION	KRK/KQZ/KRT/KRN SEE NOTE2	
501	XB4-5401-005		2	SCREW, P, M4X10		

# FIGURE 350 PAPER DELIVERY ASSEMBLY

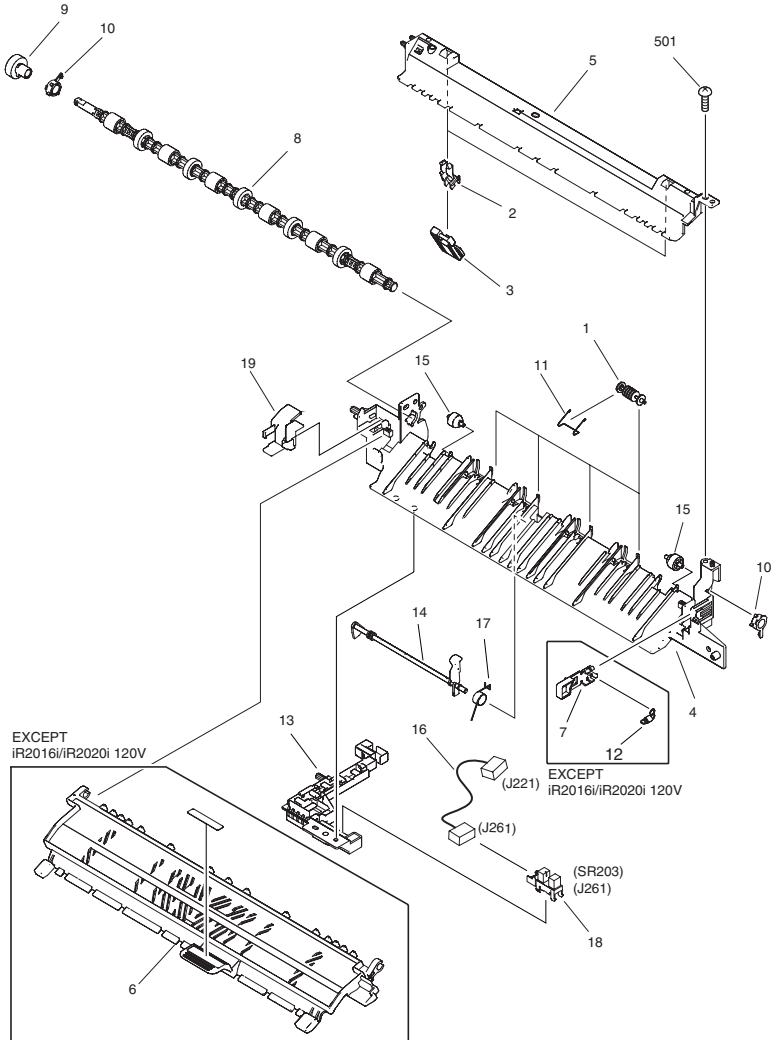


FIGURE & KEY NO.	PARTS NUMBER	RANK	QTY	DESCRIPTION	SERIAL NUMBER/REMARKS	SVC
Fig.350	FM2-3351-000		1	PAPER DELIVERY ASSEMBLY	EXCEPT iR2020i 120V	
Fig.350	FM2-6685-000		1	PAPER DELIVERY ASSEMBLY	iR2020i 120V	
1	FC5-4847-000		4	ROLLER, FEEDING		
2	FC6-4438-020		2	HOLDER, RETAINING PLATE		

FIGURE & KEY NO.	PARTS NUMBER	R A N K	Q'TY	DESCRIPTION	SERIAL NUMBER/ REMARKS	S V C
3	FC6-4477-000		2	PLATE,DELIVERY RETAINING		
4	FC6-4470-000		1	GUIDE, DELIVERY, LOWER		
5	FC6-4474-000		1	GUIDE, DELIVERY, UPPER		
6	FC6-4475-000		1	GUIDE, DELIVERY	EXCEPT iR2020i 120V	
7	FC6-4502-000		1	STOPPER, DELIVERY GUIDE	EXCEPT iR2020i 120V	
8	FL2-3220-000		1	ROLLER, DELIVERY		
9	FU5-0732-000		1	GEAR, 17T		
10	FU5-1522-000		2	BUSHING, DELIVERY ROLLER		
11	FU6-2189-000		4	SPRING, TORSION		
12	FU6-2206-000		1	SPRING, TENSION	EXCEPT iR2020i 120V	
13	FC6-4465-000		1	HOLDER, SENSOR	SR203	
14	FC6-4473-000		1	LEVER, DELIVERY SENSOR		
15	FC6-4484-000		2	ROLLER		
16	FM2-4789-000		1	CABLE, SENSOR, DELIVERY	J221,261	
17	FU6-2210-000		1	SPRING, TORSION		
18	WG8-5696-000		1	PHOTO INTERRUPTER, TLP1243	SR203 J261	
19	FC6-4504-000		1	COVER, GEAR		
501	XB4-7401-209		1	SCREW,TAPPING,PAN HEAD,M4X10		

# FIGURE 640 DEVELOPING ASSEMBLY

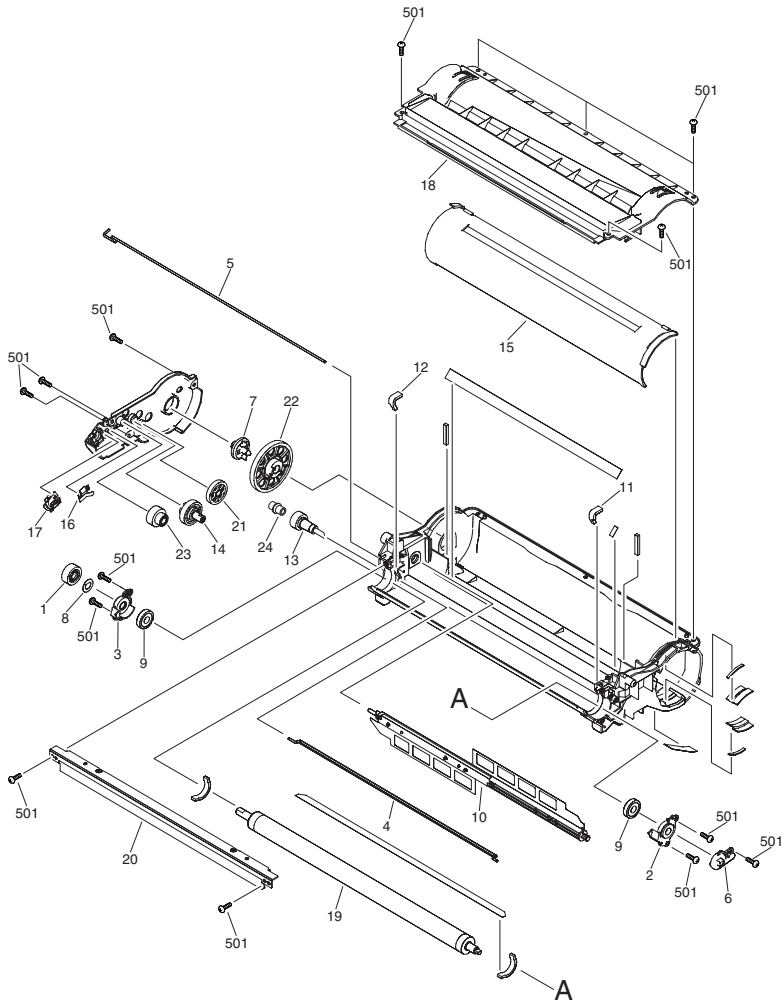


FIGURE & KEY NO.	PARTS NUMBER	R A N K	Q'TY	DESCRIPTION	SERIAL NUMBER/ REMARKS	S V C
Fig.640	FM2-3286-000		1	DEVELOPING ASSEMBLY		
1	FU6-0765-000		1	GEAR, 32T		
2	FC6-4164-000		1	BUSHING, SLEEVE, FRONT		
3	FC6-4165-000		1	BUSHING, SLEEVE, REAR		
4	FC6-4166-000		1	ROD, STEERING		
5	FC6-4167-000		1	ROD, DETECTION		
6	FC6-4168-000		1	GUIDE, POSITIONING, MAGNET		
7	FC6-4169-000		1	COUPLER		
8	FC6-4170-000		1	PLATE, TERMINAL, SLEEVE		
9	FC6-4171-000		2	ROLLER		
10	FL2-3304-000		1	ROD, STEERING		
11	FC6-4176-000		1	PAD, SIDE, FRONT		
12	FC6-4177-000		1	PAD, SIDE, REAR		
13	FL2-3193-000		1	GEAR ASSEMBLY		
14	FL2-3194-000		1	GEAR ASSEMBLY		
15	FL2-3197-000		1	SHUTTER ASSEMBLY		
16	FC6-4163-000		1	PLATE, DETECTION		
17	FC6-4202-000		1	PLATE, TERMINAL		
18	FM2-3287-000		1	LID, DEVELOPING		
19	FM2-3288-000		1	DEVELOPING SLEEVE UNIT		
20	FM2-3289-000		1	DEVELOPING BLADE UNIT		
21	FU6-0762-000		1	GEAR, 31T		
22	FU6-0763-000		1	GEAR, 70T		
23	FU6-0764-000		1	GEAR, 31T/19T		
24	FB6-6896-000		1	CAP, DEVELOPPING		
501	XB4-7300-807		15	SCREW, TAP TIGHT, BINDING HEAD		

# FIGURE 810 FIXING ASSEMBLY

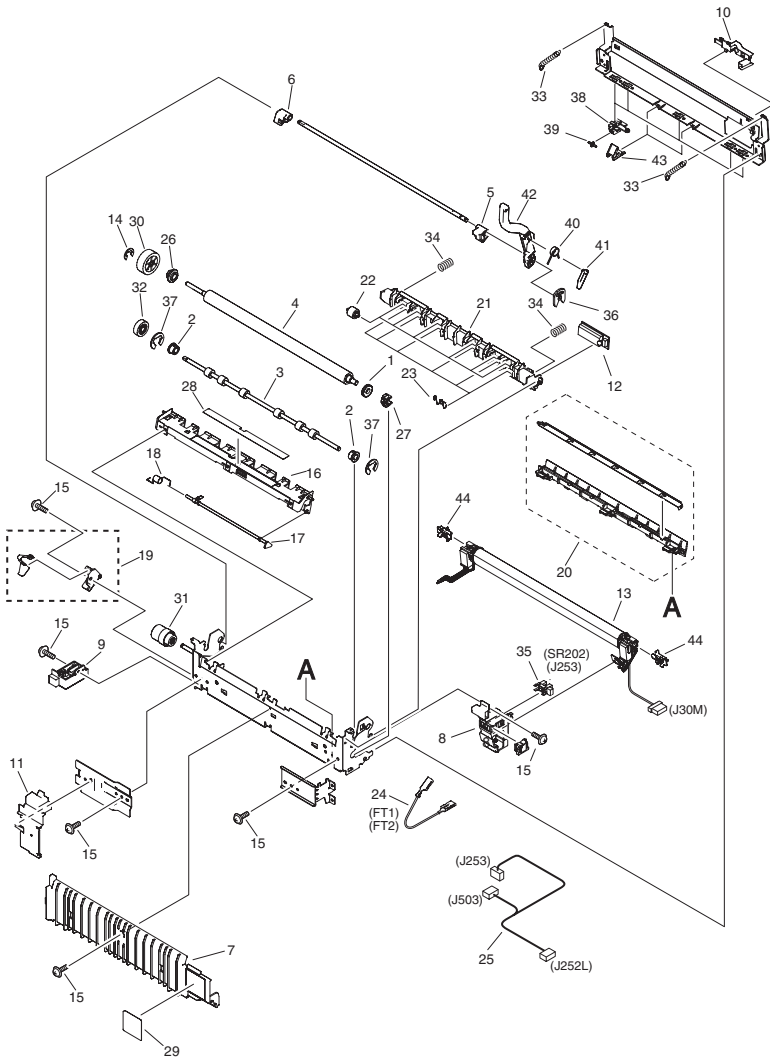


FIGURE & KEY NO.	PARTS NUMBER	R A N K	Q'TY	DESCRIPTION	SERIAL NUMBER/ REMARKS	S V C
Fig.810	FM2-3345-000		1	FIXING ASSEMBLY	120V	
Fig.810	FM2-3352-000		1	FIXING ASSEMBLY	230V	
1	FC5-4860-000		1	RUBBER RING,CONDUCTIVE		
2	FC5-5297-000		2	BUSHING		
3	FC6-4452-000		1	ROLLER, DELIVERY, MIDDLE		
4	FC6-4453-000		1	ROLLER, PRESSURE		
5	FC6-4462-000		1	BLOCK, PRESSURE RELEASE (F)		
6	FC6-4463-000		1	BLOCK, PRESSURE RELEASE (R)		
7	FC6-4479-000		1	COVER, FIXING, LEFT		
8	FC6-4480-000		1	GUIDE, FIXING CABLE (F)		
9	FC6-4481-000		1	GUIDE, FIXING CABLE (R)		
10	FC6-4492-000		1	GUIDE, FILM SENSOR CABLE		
11	FC6-4501-000		1	COVER, FIXING GEAR		
12	FG3-3501-000		1	FIXING FILM SENSOR ASS'Y		
13	FM2-3346-000		1	FIXING FILM ASSEMBLY	120V	
13	FM2-3353-000		1	FIXING FILM ASSEMBLY	230V	
14	XD9-0134-000		1	RING, E		
15	XA9-0702-000		5	SCREW, W/WASHER, M3X6		
16	FC6-4449-000		1	GUIDE, DELIVERY, LOWER		
17	FC6-4450-000		17	LEVER, DELIVERY SENSOR		
18	FU5-2470-000		1	SPRING, TORSION		
19	FM2-3348-000		1	TERMINAL HOLDER ASSEMBLY		
20	FM2-3349-000		1	FIXING INLET GUIDE UNIT		
21	FC6-4448-000		1	GUIDE, DELIVERY, UPPER		
22	FC5-6805-000		6	ROLLER, DELIVERY, MIDDLE		
23	FU6-2188-000		6	SPRINGM, TORSION		
24	FM2-4405-000		1	CABLE, FILM BIAS	FT1,2	
25	FM2-4411-000		1	CABLE, FIXING SENSOR	J252L,253,503	
26	FU5-1519-000		1	BUSHING		
27	FU5-1520-000		1	BUSHING		
28	FU5-8575-000		1	LABEL, WARNING, HIGH TEMP.		
29	FU5-8576-000		1	LABEL, DRUM CAUTION		



FIGURE & KEY NO.	PARTS NUMBER	R A N K	Q'TY	DESCRIPTION	SERIAL NUMBER/ REMARKS	S V C
30	FU6-0799-000		1	GEAR, 27T	SR202 J253	
31	FU6-0800-000		1	GEAR, 17T		
32	FU6-0801-000		1	GEAR, 17T		
33	FU6-2185-000		2	SPRING, TENSION		
34	FU6-2186-000		2	SPRING, COMPRESSION		
35	WG8-5696-000		1	PHOTO INTERRUPTER, TLP1243		
36	FA3-8727-000		1	RING,E		
37	XD9-0136-000		2	RING, E		
38	FC6-4458-020		5	MOUNT, ROWEL		
39	FC6-4375-000		5	ROWEL		
40	FU6-2208-000		1	SPRING, TORSION		
41	FC6-4454-000		1	BLOCK, LEVER RETURN		
42	FC6-4503-000		1	LEVER, RELEASE, FRONT		
43	FC6-4467-000		2	GUIDDE, PAPER LIMIT		
44	FC7-1771-000		2	CAP, PRESSURE		

# FIGURE 900 COUNTER PCB ASSEMBLY

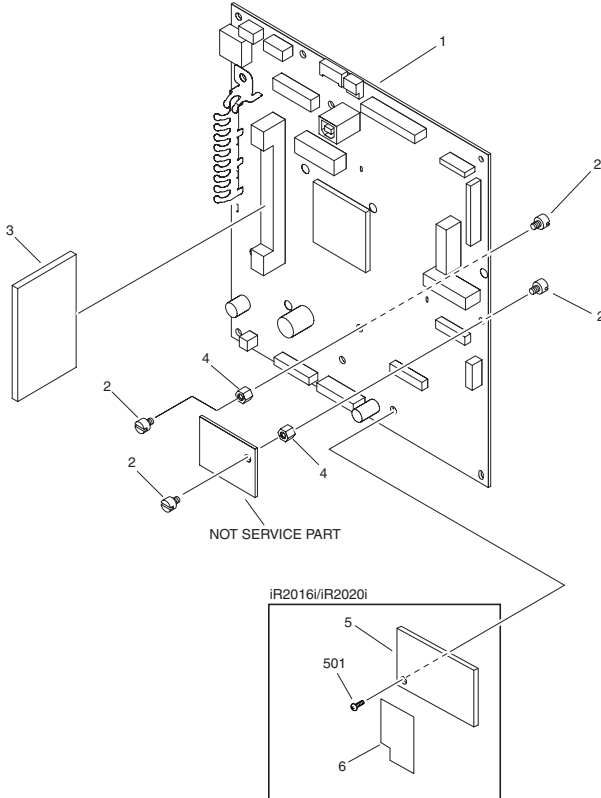


FIGURE & KEY NO.	PARTS NUMBER	RANK	QTY	DESCRIPTION	SERIAL NUMBER/REMARKS	SVC
Fig.900	NPN		RF	COUNTER PCB ASSEMBLY		
1	FM2-4054-000		1	IMAGE PROCESSOR PCB ASS'Y	iR2016/2020	
1	FM2-4053-000		1	IMAGE PROCESSOR PCB ASS'Y	iR2016J/2020J/2020S	
1	FM2-4893-000		1	IMAGE PROCESSOR PCB ASS'Y	iR2016i/2020i	
2	FU5-9340-000		4	SCREW, STEPPED, M3X4		
3	FM2-4897-000		1	DDR MODULE PCB ASS'Y	iR2016/2020 iR2016J/2020J	
3	FM2-4898-000		1	DDR MODULE PCB ASS'Y	iR2016i/2020i	
4	VT2-5177-005		2	SPACER, METAL		
5	FM2-4060-000		1	ROM PCB ASSEMBLY	iR2016i/2020i	
6	FC7-1760-000		1	SHEET, INSULATING	iR2016i/2020i	

FIGURE & KEY NO.	PARTS NUMBER	R A N K	Q'TY	DESCRIPTION	SERIAL NUMBER/ REMARKS	S V C
IC140	FK2-0949-000		1	IC, UPD65942GC-Y24, GATE ARRAY		
BAT951	WK1-5130-000		1	BATTERY, LITHIUM, CR2032/1HS		

FIGURE 930  
HVT PCB ASSEMBLY

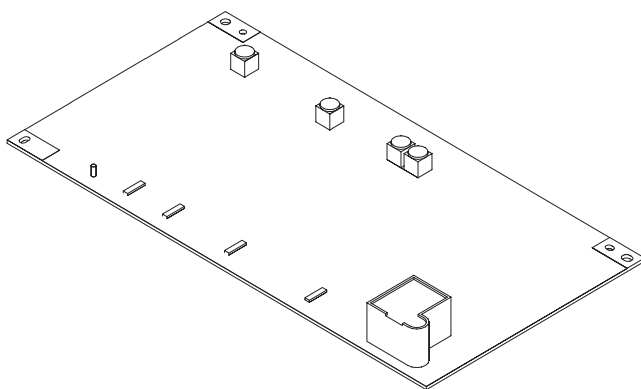
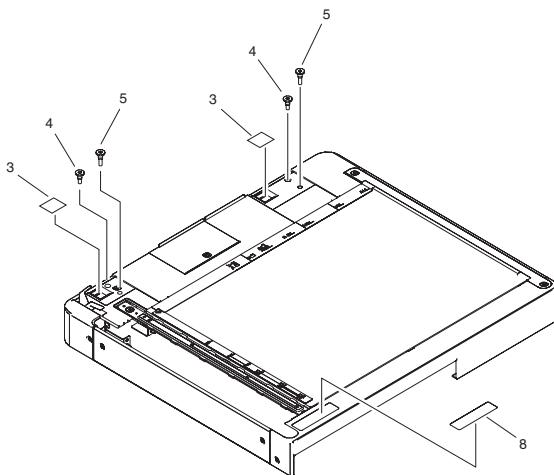
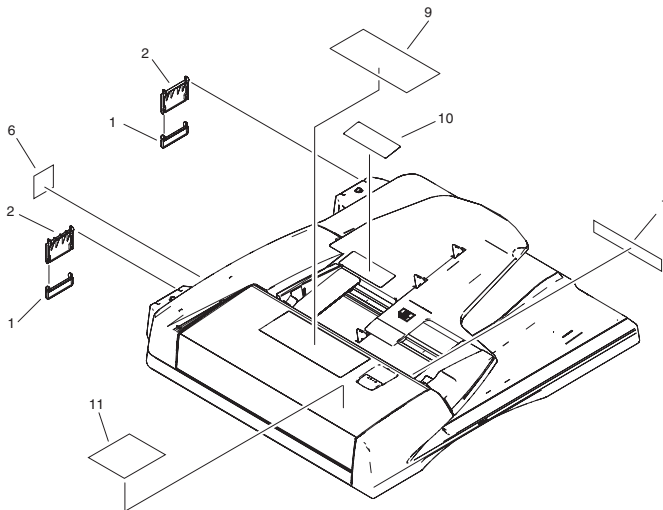


FIGURE & KEY NO.	PARTS NUMBER	RANK	Q'TY	DESCRIPTION	SERIAL NUMBER/REMARKS	SVC
Fig.930	FM2-4018-000		1	HVT PCB ASSEMBLY		
T1	FH3-5238-000		1	TRANSFORMER		
T2	FH3-5239-000		1	TRANSFORMER		
T3	FH3-5235-000		1	TRANSFORMER,INVERTER		
T4	FH3-5240-000		3	TRANSFORMER	T4,5,6	
T7	FH3-5257-000		1	TRANSFORMER, HIGH VOLTAGE		

# FIGURE P01 PACKING KIT

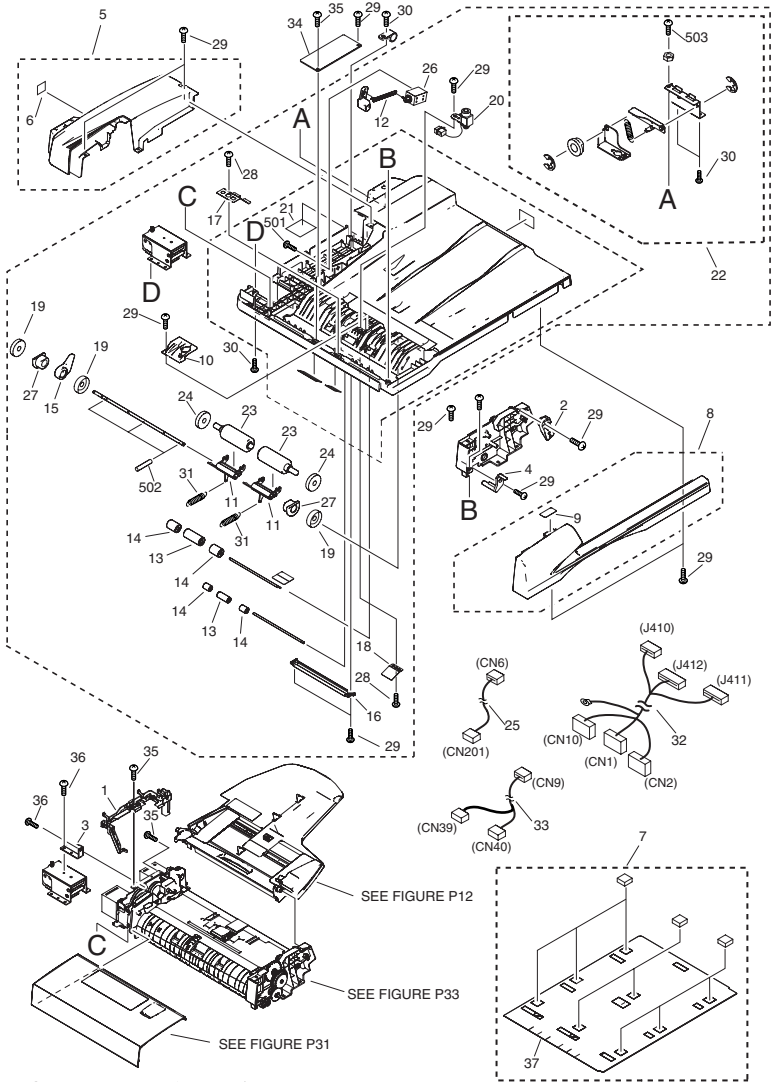


NOTE : This unit is used for iR2016/iR2020i.  
注 : このユニットはiR2016i/iR2020iに使用します。

FIGURE & KEY NO.	PARTS NUMBER	RANK	Q'TY	DESCRIPTION	SERIAL NUMBER/REMARKS	SVC
Fig.P01	NPN		RF	PACKING KIT	iR2016i/2020i	
1	FC3-1571-000		2	COVER, HINGE		
2	FC3-1572-000		2	COVER, HINGE		

FIGURE & KEY NO.	PARTS NUMBER	RANK	Q'TY	DESCRIPTION	SERIAL NUMBER/REMARKS	SVC
3	FC3-1547-000		2	SHEET, BLANKING		
4	FS2-9540-000		2	SCREW, STEPPED, M4		
5	FS2-9542-020		2	SCREW, STEPPED		
6	FS9-0220-000		1	LABEL, CAUTION	100V	
6	FS9-0196-000		1	LABEL, CAUTION	EXCEPT 100V	
7	FS9-0211-000		1	LABEL, DOCUMENT SIZE		
8	FS9-0245-000		1	LABEL, CLEANING	100V	
8	FS9-0214-000		1	LABEL, CLEANING	EXCEPT 100V	
9	FS9-0201-000		1	LABEL, DOCUMENT PROHIBITION		
9	FS9-0202-000		1	LABEL, DOCUMENT PROHIBITION		
9	FS9-0223-000		1	LABEL, DOCUMENT PROHIBITION		
10	FS9-0207-000		1	LABEL, DOCUMENT SIZE		
10	FS9-0208-000		1	LABEL, DOCUMENT SIZE		
10	FS9-0209-000		1	LABEL, DOCUMENT SIZE		
11	FS9-0216-000		1	LABEL, CLEANING		
11	FS9-0217-000		1	LABEL, CLEANING		
11	FS9-0218-000		1	LABEL, CLEANING		

# FIGURE P11 ADF ASSEMBLY



NOTE : This unit is used for iR2016i/iR2020i.  
 注 : このユニットはiR2016i/iR2020iに使用します。

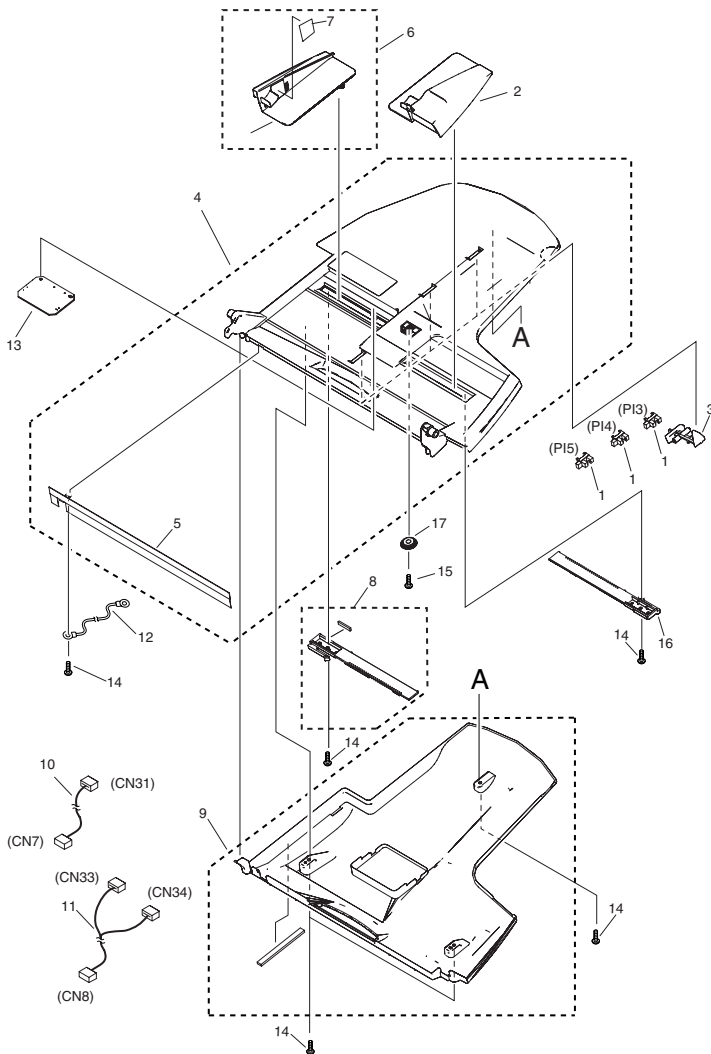
FIGURE & KEY NO.	PARTS NUMBER	RANK	Q'TY	DESCRIPTION	SERIAL NUMBER/REMARKS	SVC
Fig.P11	NPN		RF	ADF ASSEMBLY	iR2016i/2020i	
1	FC3-1468-000		1	HOLDER, HARNESS		



FIGURE & KEY NO.	PARTS NUMBER	R A N K	Q'TY	DESCRIPTION	SERIAL NUMBER/ REMARKS	S V C
2	FC3-1492-000		1	HOLDER, TRAY SHAFT		
3	FC3-1496-000		1	BRACKET, SUPPORT		
4	FC3-1539-000		1	HOLDER, FEEDER SHAFT		
5	FF3-4621-000		1	PANEL, REAR		
6	FS9-0198-000		1	LABEL, HINGE CAUTION		
7	FF3-4624-000		1	PANEL, COPYBOARD		
8	FF3-4634-000		1	PANEL, FRONT		
9	FS9-0203-000		1	LABEL, DIAL OPERATION		
10	FC3-1449-000		1	COVER, STAMP		
11	FC3-1450-000		2	HOLDER, DELIVERY RELEASE		
12	FC3-1452-000		1	ARM, SOLENOID		
13	FC3-1454-000		2	ROLLER, PAPER FEED, 1		
14	FC3-1455-000		4	ROLLER, PAPER, FEED, 2		
15	FC3-1491-000		1	ARM, DELIVERY RELEASE		
16	FC3-1495-000		1	COVER, FEED		
17	FC3-1497-000		2	SPRING, LEAF		
18	FC3-1498-000		2	SPRING, LEAF		
19	FC3-1549-000		3	CLIP		
20	FK2-0216-000		1	SOLENOID		
21	FS9-0197-000		1	LABEL, HINGE CAUTION		
22	FG3-4039-000		1	HINGE UNIT(RIGHT)		
23	FC3-1451-000		2	ROLLER		
24	FC3-1513-000		2	ROLLER, PRESS		
25	FH2-7211-000		1	CABLE, STAMP		
26	FH6-5136-000		1	SOLENOID		
27	FS2-1707-000		2	BUSHING, DELIVERY RELEASE		
28	FS2-9568-000		4	SCREW, M3X8		
29	FS2-9569-000		12	SCREW, M3X10		
30	FS2-9571-000		7	SCREW, M4X12		
31	FS4-2743-000		2	SPRING		
32	FH2-7206-000		1	CABLE, INTERFACE		
33	FH2-7210-000		1	CABLE, OPEN/CLOSE SENSOR		

FIGURE & KEY NO.	PARTS NUMBER	R A N K	Q'TY	DESCRIPTION	SERIAL NUMBER/ REMARKS	S V C
34	FH5-3730-000		1	CONNECTION PCB UNIT		
35	FS2-9567-000		3	SCREW, M3X6		
36	FS2-9570-000		2	SCREW, M4X7		
37	FS9-0201-000		1	LABEL, DOCUMENT PROHIBITION	A INCH SIZE, AB INCH SIZE	
37	FS9-0202-000		1	LABEL, DOCUMENT PROHIBITION	A SIZE	
37	FS9-0200-000		1	LABEL, DOCUMENT PROHIBITION	AB SIZE	
38	FS9-0206-000		1	LABEL, DOCUMENT SIZE	AB SIZE	
38	FS9-0207-000		1	LABEL, DOCUMENT SIZE	A INCH SIZE	
38	FS9-0208-000		1	LABEL, DOCUMENT SIZE	A SIZE	
38	FS9-0209-000		1	LABEL, DOCUMENT SIZE	AB INCH SIZE	
39	FC3-1569-000		1	COVER, COPYBOARD		
501	XB2-4300-605		1	SCREW, W/WASHER, M3X6		
502	XD3-2200-102		3	PIN, PARALLEL		
503	XB1-1401-407		1	SCREW, M4X14		

# FIGURE P12 DOCUMENT TRAY ASSEMBLY

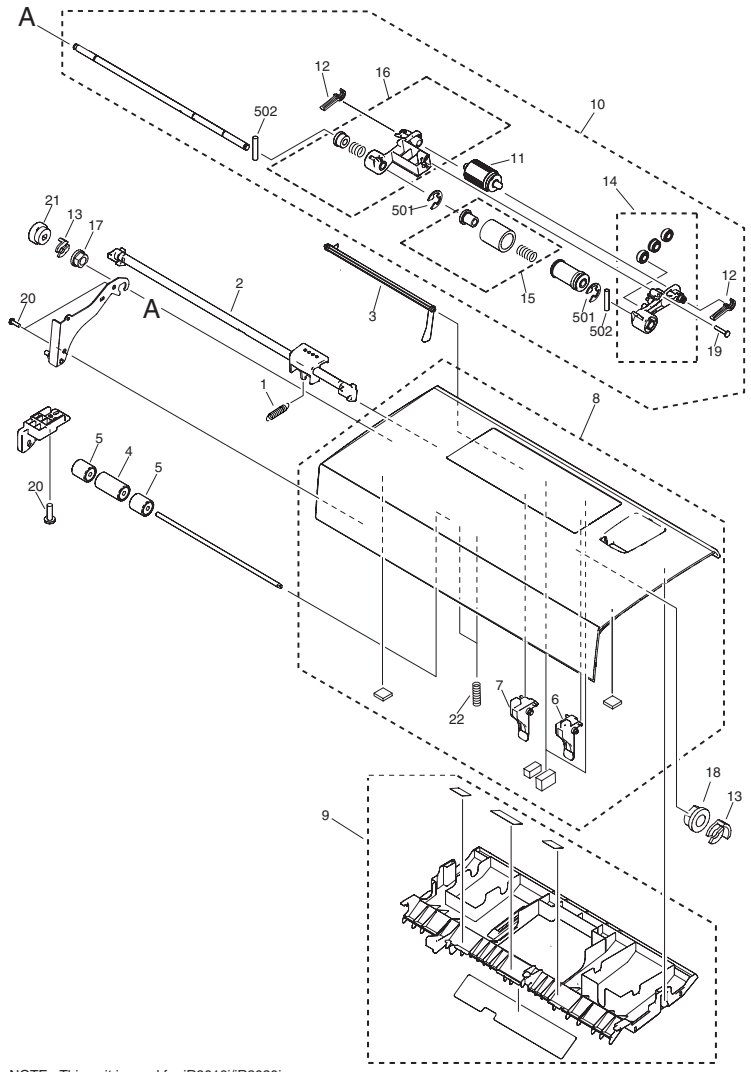


NOTE : This unit is used for iR2016i/iR2020i.  
注 : このユニットはiR2016i/iR2020iに使用します。

FIGURE & KEY NO.	PARTS NUMBER	R A N K	Q'TY	DESCRIPTION	SERIAL NUMBER/REMARKS	S V C
Fig.P12	FG3-4036-000		1	DOCUMENT TRAY ASSEMBLY	iR2016i/2020i	
1	WG8-5696-000		3	PHOTO INTERRUPTER, TLP1243		

FIGURE & KEY NO.	PARTS NUMBER	RANK	Q'TY	DESCRIPTION	SERIAL NUMBER/REMARKS	SVC
2	FC3-1486-000		1	GUIDE, TRAY, FRONT		
3	FC3-1488-000		3	LEVER, TRAY SENSOR		
4	FF3-4625-000		1	TRAY, DOCUMENT, UPPER		
5	FC3-1529-000		1	ELIMINATOR, STATIC CHARGE		
6	FF3-4626-000		1	GUIDE, TRAY		
7	FS9-0210-000		1	LABEL, DOCUMENT HEIGHT LIMIT		
8	FF3-4627-000		1	RACK, TRAY		
9	FF3-4628-000		1	COVER, TRAY, LOWER		
10	FH2-7207-000		1	CABLE, DOCUMENT TRAY	CN7,31	
11	FH2-7208-000		1	CABLE, SIZE DETECTION SENSOR	CN8,33,34	
12	FH2-7212-000		1	CABLE, STATIC ELIMINATOR		
13	FH5-3731-000		1	CONNECTING PCB UNIT		
14	FS2-9569-000		6	SCREW, M3X10		
15	FS2-9572-000		1	SCREW, M3X10		
16	FS4-0657-000		1	RACK, TRAY		
17	FS4-0658-000		1	GEAR, 16T		

# FIGURE P31 OPEN/CLOSE PANEL ASSEMBLY

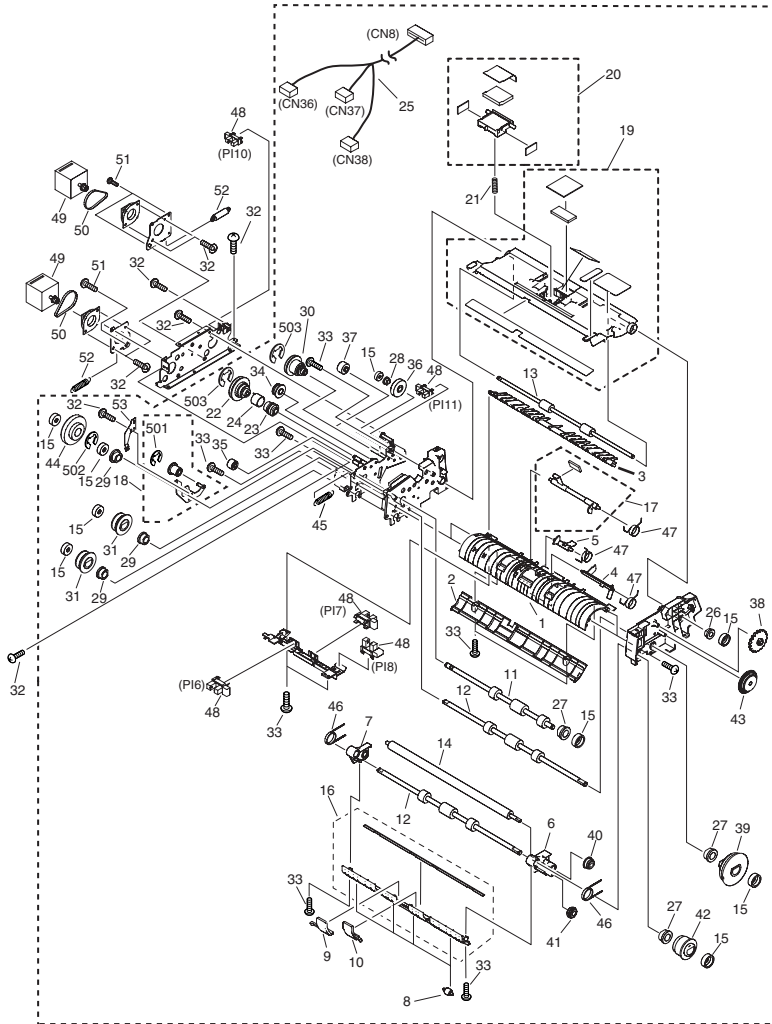


NOTE : This unit is used for iR2016i/iR2020i.  
注 : このユニットはiR2016i/iR2020iに使用します。

FIGURE & KEY NO.	PARTS NUMBER	RANK	QTY	DESCRIPTION	SERIAL NUMBER/REMARKS	SVC
Fig.P31	FG3-4037-000		1	OPEN/CLOSE PANEL ASSEMBLY	A INCH SIZE/A SIZE	
Fig.P31	FG3-4052-000		1	OPEN/CLOSE PANEL ASSEMBLY	AB SIZE/AB INCH SIZE	

FIGURE & KEY NO.	PARTS NUMBER	R A N K	Q'TY	DESCRIPTION	SERIAL NUMBER/ REMARKS	S V C
1	FS4-2754-000		1	SPRING, TENSION		
2	FC3-1477-000		1	LEVER, OPEN/CLOSE		
3	FC3-1478-000		1	LEVER, SENSOR		
4	FC3-1479-000		1	ROLLER, REGISTRATION, 1		
5	FC3-1480-000		2	ROLLER, REGISTRATION, 2		
6	FC3-1540-000		1	SHUTTER, FRONT		
7	FC3-1541-000		1	SHUTTER, REAR		
8	FF3-4629-000		1	PANEL, OPEN/CLOSE	A SIZE	
8	FF3-4637-000		1	PANEL, OPEN/CLOSE	AB INCH SIZE/A INCH SIZE	
9	FF3-4630-000		1	GUIDE, OPEN/CLOSE		
10	FG3-4043-000		1	PICK-UP ROLLER ASSEMBLY		
11	FC3-1525-000		1	ROLLER, PICK-UP		
12	FC3-1542-000		2	STOPPER		
13	FC3-1549-000		2	CLIP		
14	FG3-4041-000		1	PICK-UP ARM UNIT, FRONT		
15	FG3-4044-000		1	SEPARATION ROLLER UNIT		
16	FG3-4045-000		1	PICK-UP ARM UNIT,REAR		
17	FS2-1708-000		1	BUSHING		
18	FS2-1710-000		1	BUSHING		
19	FS2-9573-000		1	SCREW, M3X16		
20	FS2-9569-000		4	SCREW, M3X10		
21	FS4-0654-000		1	GEAR, 25T		
22	FS4-2747-000		2	SPRING, COMPRESSION		
501	XD2-1100-502		1			
502	XD3-2200-102		2	PIN, PARALLEL		

# FIGURE P33 PAPER FEEDER ASSEMBLY



NOTE : This unit is used for iR2016i/iR2020i.  
注 : このユニットはiR2016i/iR2020iに使用します。

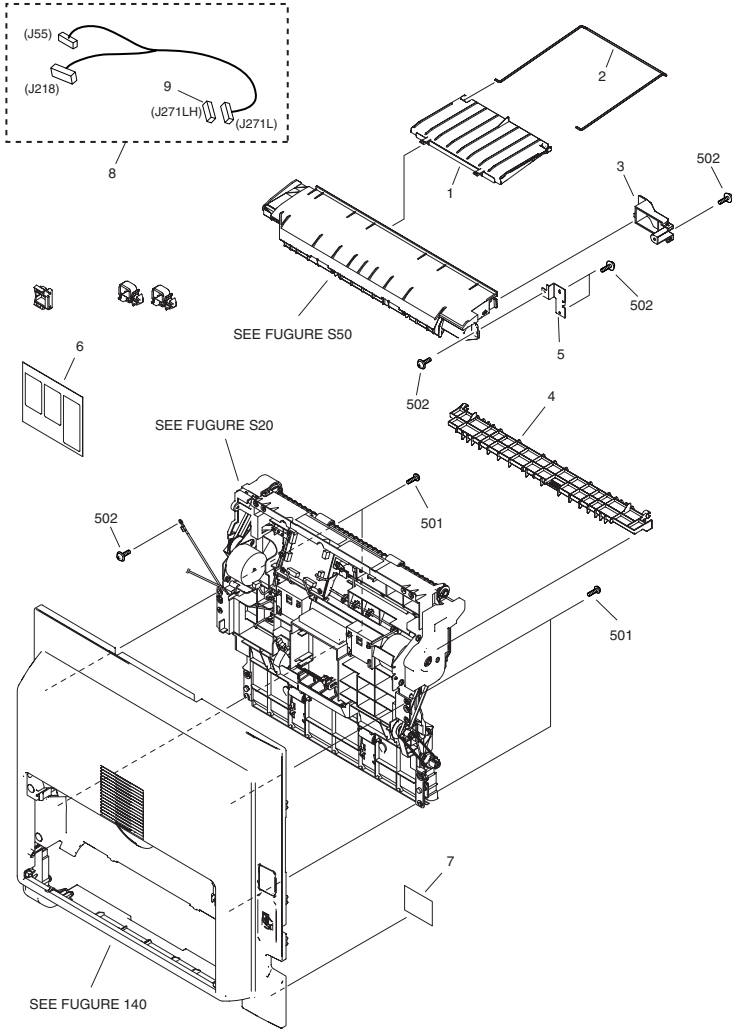
FIGURE & KEY NO.	PARTS NUMBER	RANK	Q'TY	DESCRIPTION	SERIAL NUMBER/REMARKS	SVC
Fig.P33	FG3-4038-020		1	PAPER FEEDER ASSEMBLY	iR2016i/2020i	
1	FC3-1460-000		1	GUIDE, FEEDER		
2	FC3-1462-000		1	GUIDE, PLATEN		

FIGURE & KEY NO.	PARTS NUMBER	RANK	Q'TY	DESCRIPTION	SERIAL NUMBER/REMARKS	SVC
3	FF3-4638-000		1	FLAPPER		
4	FC3-1465-000		1	FLAG, READ SENSOR		
5	FC3-1466-000		1	FLAG, DELIVERY REVERSE SENSOR		
6	FC3-1469-000		1	ARM, PLATEN, FRONT		
7	FC3-1470-000		1	ARM, PLATEN, REAR		
8	FC3-1471-000		4	ROLLER, PLATEN		
9	FC3-1493-000		1	SPACER, PLATEN, FRONT		
10	FC3-1494-000		1	SPACER, PLATEN, REAR		
11	FC3-1509-000		1	ROLLER, REGISTRATION, 1		
12	FC3-1510-000		2	ROLLER, READ		
13	FC3-1511-000		1	ROLLER, DELIVERY REVERSE		
14	FC3-1512-000		1	ROLLER, WHITE		
15	FC3-1549-000		9	CLIP		
16	FF3-4633-000		1	PLATEN GUIDE UNIT		
17	FF3-4636-000		1	REGISTRATION SENSOR UNIT		
18	FG3-4040-000		1	TENSION ROLLER UNIT		
19	FF3-4631-000		1	REVERSE GUIDE UNIT		
20	FF3-4632-000		1	SEPARATION PAD UNIT		
21	FS4-2746-000		1	SPRING, COMPRESSION		
22	FS2-3885-000		1	PULLEY, 57T,GEAR, 23T		
23	FS4-0645-000		1	GEAR, 16T		
24	FS4-2752-000		11	SPRING, TENSION		
25	FH2-7209-000		1	CABLE, FEEDER SENSOR	CN8,36,37,38	
26	FS2-1708-000		1	BUSHING		
27	FS2-1709-000		3	BUSHING		
28	FS2-1710-000		1	BUSHING		
29	FS2-1711-000		3	BUSHING		
30	FS2-3886-000		1	PULLEY, 57T/19T, GEAR, 23T		
31	FS2-3887-000		2	PULLEY, 27T		
32	FS2-9567-000		9	SCREW,M3X6		
33	FS2-9569-000		12	SCREW, M3X10		
34	FS4-0644-000		1	GEAR, 16T		



FIGURE & KEY NO.	PARTS NUMBER	RANK	Q'TY	DESCRIPTION	SERIAL NUMBER/REMARKS	SVC
35	FS4-0646-000		1	GEAR, 19T	P16,7,8,10,11	
36	FS4-0647-000		1	GEAR, 25T		
37	FS4-0648-000		1	GEAR, 23T		
38	FS4-0649-000		1	DIAL		
39	FS4-0650-000		1	GEAR, 31T		
40	FS4-0651-000		1	GEAR, 14T		
41	FS4-0652-000		1	GEAR, 15T		
42	FS4-0653-000		1	GEAR, 18T		
43	FS4-0659-000		1	GEAR, 54T/39T		
44	FS4-0660-000		1	GEAR, 33T		
45	FS4-2744-000		1	SPRING, TENSION		
46	FS4-2745-000		2	SPRING, TORSION		
47	FS4-2753-000		3	SPRING, TORSION		
48	WG8-5696-000		5	PHOTO INTERRUPTER, TLP1243		
49	FH5-1142-000		2	MOTOR, STEPPING		
50	XF2-1607-240		2	BELT, TIMING		
51	FS2-9570-000		4	SCREW, M4X7		
52	FS4-2749-000		2	SPRING, TENSION		
53	FC3-1568-000		1	PLATE, GROUNDING		
501	XD2-1100-322		1			
502	XD2-1100-642		1	RING, E		
503	XD2-1100-502		1			

# FIGURE S01 PACKING KIT

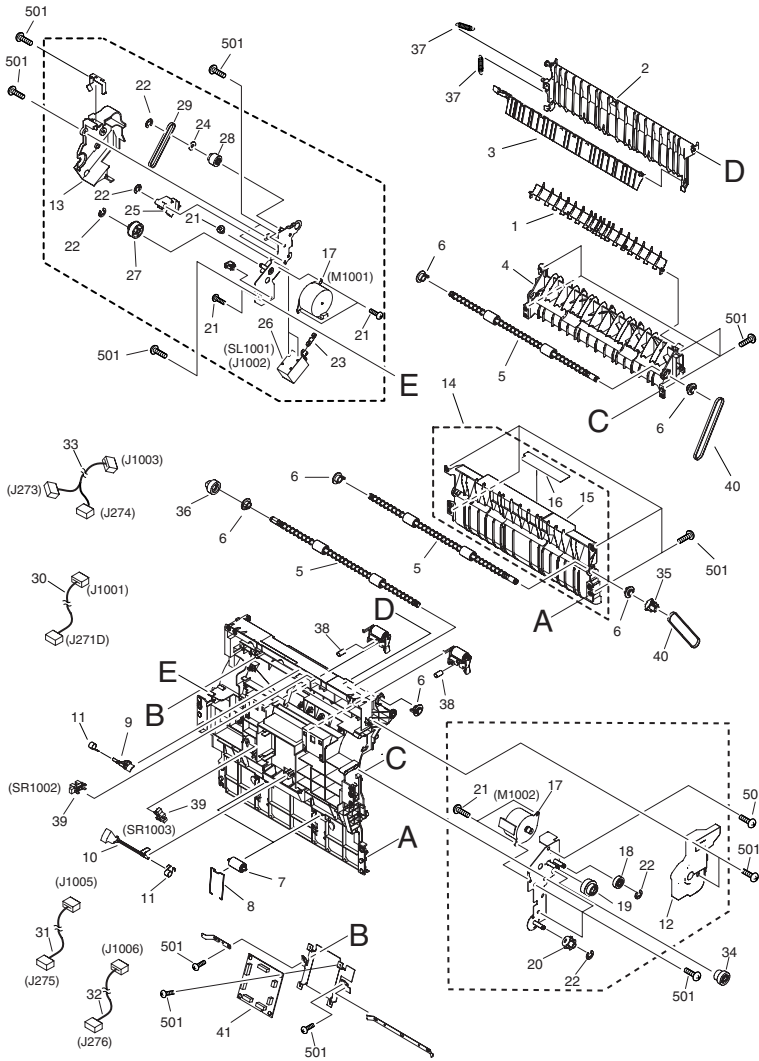


NOTE : This unit is used for iR2016i/iR2020i.  
 注 : このユニットはiR2016i/iR2020iに使用します。

FIGURE & KEY NO.	PARTS NUMBER	RANK	QTY	DESCRIPTION	SERIAL NUMBER/REMARKS	SVC
Fig.S01	NPN		RF	PACKING KIT	iR2016i US/iR2020i US	
1	FC6-6782-000		1	TRAY, REVERSE		

FIGURE & KEY NO.	PARTS NUMBER	RANK	Q'TY	DESCRIPTION	SERIAL NUMBER/REMARKS	SVC
2	FC6-6783-000		1	TRAY, SUB		
3	FC6-6784-000		1	COVER, REVERSE GUIDE		
4	FL2-3746-000		1	GUIDE, DELIVERY		
5	FC6-6778-000		1	MOUNT, REVERSE GUIDE		
6	FU5-8697-000		1	LABEL, JAM CLEAR		
7	FU5-8699-000		1	LABEL, JAM CLEAR		
8	FM2-4516-000		1	CABLE, DUPLEX UNIT	J55,218,271L	
9	VS1-7207-012		1	CONNECTOR	J271LH	
501	XB4-5401-007		4	SCREW, M4X10		
502	XB6-7300-609		5	SCREW, MACH, PAN HEAD		

# FIGURE S20 DUPLEX FEEDER ASSEMBLY



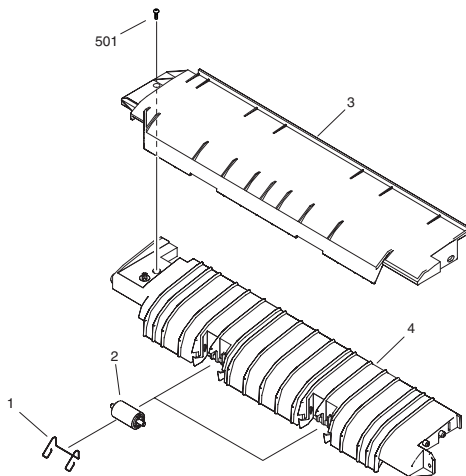
NOTE : This unit is used for iR2016i/iR2020i.  
 注 : このユニットはiR2016i/iR2020iに使用します。

FIGURE & KEY NO.	PARTS NUMBER	RANK	QTY	DESCRIPTION	SERIAL NUMBER/REMARKS	SVC
Fig.S20 1	NPN FC6-6752-000		RF 1	DUPLEX FEEDER ASSEMBLY DEFLECTOR, REVERSE	iR2016i US/iR2020i US	

FIGURE & KEY NO.	PARTS NUMBER	RANK	Q'TY	DESCRIPTION	SERIAL NUMBER/REMARKS	SVC
2	FC6-6753-000		1	GUIDE, DUPLEX SWING		
3	FC6-6755-000		1	DEFLECTOR, DUPLEX		
4	FC6-6756-000		1	GUIDE, RIGHT UPPER		
5	FC6-6757-000		3	ROLLER		
6	FC6-6758-000		6	BUSHING		
7	FC6-6759-000		4	ROLLER		
8	FC6-6760-000		2	SPRING, ROLLER		
9	FC6-6765-000		1	FLAG, REVERSE SENSOR		
10	FC6-6767-000		1	FLAG, FEEDER SENSOR		
11	FC6-6768-000		2	SPRING, TORSION		
12	FC6-6776-000		1	COVER, DUPLEX, FRONT		
13	FC6-6777-000		1	COVER, DUPLEX, REAR		
14	FL2-3856-000		1	GUIDE, RIGHT, LOWER		
15	FC6-6754-000		1	GUIDE, RIGHT, LOWER		
16	FU5-8696-000		1	LABEL, OPERATION PROHIBITION		
17	FK2-1114-000		2	MOTOR, STEPPING	M1001,1002	
18	FU6-0933-000		1	GEAR, 47T/17T		
19	FU6-0934-000		1	GEAR, 18T		
20	FU6-0936-000		1	GEAR, 28T		
21	XA9-1116-000		11	SCREW, 3X5		
22	XD9-0136-000		5	RING, E		
23	FC6-6740-000		1	PLATE, LINK		
24	FC6-6764-000		1	FLANGE		
25	FC6-6769-000		1	PLATE, LINK		
26	FL2-3744-000		1	SOLENOID	SL1001 J1002	
27	FU6-0938-000		1	GEAR, 47T/22T		
28	FU6-0939-000		1	GEAR, 22T/17T		
29	XF2-1109-040		1	BELT, TIMING		
30	FM2-4517-000		1	CABLE, DUPLEX RELAY	J271D,1001	
31	FM2-4518-000		1	CABLE, DUPLEX MOTOR	J275,1005	
32	FM2-4519-000		1	CABLE, REVERSE MOTOR	J276,1006	
33	FM2-4520-000		1	CABLE, DUPLEX SENSOR	J273,274,1003	

FIGURE & KEY NO.	PARTS NUMBER	RANK	Q'TY	DESCRIPTION	SERIAL NUMBER/REMARKS	SVC
34	FU6-0935-000		1	GEAR, 21T/28T		
35	FU6-0937-000		1	GEAR, 28T		
36	FU6-0940-000		1	GEAR, 21T		
37	FU6-2387-000		2	SPRING, TENSION		
38	FU6-2388-000		2	SPRING, COMPRESSION		
39	WG8-5696-000		2	PHOTO INTERRUPTER, RLP1243	SR1002,1003	
40	XF2-1112-240		2	BELT, TIMING		
41	FM2-4515-000		1	PWB, DUPLEX DRIVER		
501	XB4-5401-007		20	SCREW, M4X10		

# FIGURE S50 DUPLEX REVERSE UNIT



NOTE : This unit is used for iR2016i/iR2020i.  
注 : このユニットはiR2016i/iR2020iに使用します。

FIGURE & KEY NO.	PARTS NUMBER	RANK	Q'TY	DESCRIPTION	SERIAL NUMBER/REMARKS	SVC
Fig.S50	NPN		RF	DUPLEX REVERSE UNIT	iR2016i US/iR2020i US	
1	FM2-4493-000		1	DUPLEX REVERSE UNIT		
2	FC6-6759-000		2	ROLLER		
3	FC6-6779-000		1	GUIDE, REVERSE UPPER		
4	FC6-6780-000		1	GUIDE, REVERSE, LOWER		
5	FC6-6781-000		2	SPRING, ROLLER		
501	XB4-5401-007		1	SCREW, M4X10		





Prepared by  
OIP HFE Promotion Center  
CANON INC.

**Canon**